

# ECOPHON SAGA™ B

Ecophon Saga™ B is bonded edge-to-edge and directly fixed using screws. The bevelled edge creates a narrow groove between the tiles. For applications where the minimum possible overall depth of system is required.



# Ecophon Saga™ B

## SYSTEM RANGE



Size, mm	600x600	600x600	600x600	1200x600	1200x600	1200x600	2400x600	2400x600	2400x600
Direct to grid, mechanically	•	•		•	•		•	•	
Direct	•	•	•	•	•	•	•	•	•
Wall	•	•	•	•	•	•	•	•	•
Thickness (THK)	25	35	50	25	35	50	25	35	50
Inst. Diagr.	M575, M576, M578	M575, M576, M578	M576, M578	M575, M576, M578	M575, M576, M578	M576, M578	M575, M576, M578	M575, M576, M578	M576, M578



Saga B panel



Saga B System



Saga B Section

## TYPE OF APPLICATION

- Additional areas
- Education
- Healthcare
- Office

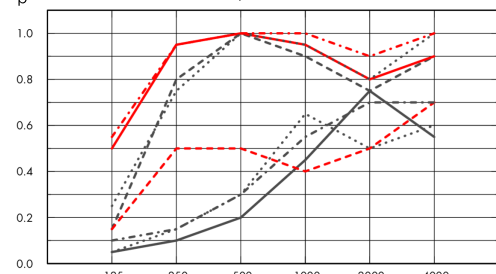


## ACOUSTIC

### Sound Absorption

Test results according to EN ISO 354. Classification according to EN ISO 11654, and the single value ratings for Noise Reduction Coefficient, NRC and Sound Absorption Average, SAA according to ASTM C 423.

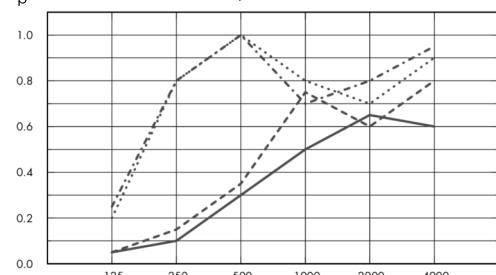
$\alpha_p$ , Practical sound absorption coefficient



Frequency Hz

- Saga B 25mm Elegant, 25 mm o.d.s.
  - ⋯ Saga B 25mm Elegant, 50 mm o.d.s.
  - Saga B 25mm Elegant + Saga Acoustic, 70 mm o.d.s.
  - - - Saga B 25mm Elegant, 200 mm o.d.s.
  - - - Saga B 25mm Elegant + Saga Acoustic, 200 mm o.d.s.
  - ⋯ Saga B 25mm Elegant + TECH Slab, 65 mm o.d.s.
  - - - Saga B 35mm Elegant, 35 mm o.d.s.
  - - - Saga B 35mm Elegant + TECH Slab, 200 mm o.d.s.
- o.d.s = overall depth of system

$\alpha_p$ , Practical sound absorption coefficient



Frequency Hz

- Saga B 25mm Normal, 25 mm o.d.s.
  - ⋯ Saga B 25mm Normal + TECH Slab, 65 mm o.d.s.
  - - - Saga B 35mm Normal, 35 mm o.d.s.
  - - - Saga B 35mm Normal + TECH Slab, 75 mm o.d.s.
- o.d.s = overall depth of system

	THK mm	o.d.s. mm	$\alpha_p$ , Practical sound absorption coefficient						$\alpha_w$	Sound absorption class
			125 Hz	250 Hz	500 Hz	1000 Hz	2000 Hz	4000 Hz		
Elegant 25mm	25	25	0.05	0.10	0.20	0.45	0.75	0.55	0.30	D
Elegant 25mm	25	50	0.05	0.15	0.30	0.65	0.50	0.60	0.35	D
Elegant 25mm + Saga Acoustic	65	70	0.15	0.80	1.00	0.90	0.75	0.90	0.85	B
Elegant 25mm	25	200	0.15	0.50	0.50	0.40	0.50	0.70	0.50	D
Elegant 25mm + Saga Acoustic	65	200	0.50	0.95	1.00	0.95	0.80	0.90	0.90	A
Elegant 25mm + TECH Slab	65	200	0.50	0.90	1.00	1.00	0.80	0.95	0.90	A
Elegant 25mm + TECH Slab	65	65	0.25	0.75	1.00	0.95	0.80	1.00	0.90	A
Elegant 35mm	35	200	0.20	0.40	0.55	0.40	0.60	0.75	0.50	D
Elegant 35mm	35	35	0.10	0.15	0.30	0.55	0.70	0.70	0.35	D
Elegant 35mm + TECH Slab	75	200	0.55	0.95	1.00	1.00	0.90	1.00	1.00	A
Elegant 35mm + TECH Slab	75	75	0.25	0.70	1.00	1.00	0.90	1.00	0.95	A
Discreet 25mm	25	200	0.15	0.45	0.45	0.35	0.45	0.70	0.45	D
Discreet 25mm	25	25	0.05	0.10	0.20	0.50	0.70	0.60	0.30	D
Discreet 25mm + TECH Slab	65	200	0.40	0.95	0.95	0.80	0.65	0.85	0.75	C
Discreet 25mm + TECH Slab	65	65	0.25	0.75	1.00	0.80	0.65	0.85	0.75	C
Discreet 25mm + Saga Acoustic	65	200	0.45	0.95	0.95	0.85	0.65	0.85	0.75	C
Discreet 25mm + Saga Acoustic	65	70	0.20	0.85	1.00	0.80	0.70	0.85	0.80	B
Discreet 35mm	35	200	0.25	0.50	0.55	0.40	0.60	0.80	0.50	D
Discreet 35mm	35	35	0.10	0.15	0.35	0.75	0.65	0.75	0.40	D
Discreet 35mm + TECH Slab	75	200	0.55	0.95	1.00	0.90	0.85	1.00	0.90	A
Discreet 35mm + TECH Slab	75	75	0.25	0.80	1.00	0.85	0.85	1.00	0.90	A
Normal 25mm	25	200	0.20	0.50	0.50	0.35	0.45	0.70	0.45	D
Normal 25mm	25	25	0.05	0.10	0.30	0.50	0.65	0.60	0.35	D
Normal 25mm + TECH Slab	65	200	0.40	0.95	0.95	0.80	0.70	0.90	0.80	B
Normal 25mm + TECH Slab	65	65	0.20	0.80	1.00	0.80	0.70	0.90	0.80	B
Normal 25mm + Saga Acoustic	65	200	0.35	0.95	0.95	0.80	0.70	0.90	0.80	B
Normal 25mm + Saga Acoustic	65	70	0.20	0.80	1.00	0.80	0.65	0.90	0.75	C
Normal 35mm	35	200	0.25	0.55	0.50	0.35	0.65	0.75	0.45	D
Normal 35mm	35	35	0.05	0.15	0.35	0.75	0.60	0.80	0.40	D
Normal 35mm + TECH Slab	75	200	0.55	0.95	1.00	0.80	0.80	0.90	0.85	B
Normal 35mm + TECH Slab	75	75	0.25	0.80	1.00	0.70	0.80	0.95	0.80	B
Normal 50mm	50	50	0.15	0.30	0.85	0.80	0.75	0.90	0.60	C

	THK mm	o.d.s. mm	NRC	SAA
Elegant 25mm	25	25	0.40	0.37
Elegant 25mm	25	50	0.40	0.41
Elegant 25mm + Saga Acoustic	65	70	0.85	0.89
Elegant 25mm	25	200	0.50	0.48
Elegant 25mm + Saga Acoustic	65	200	0.95	0.92



## INDOOR AIR QUALITY

Certificate / Label	Saga	Saga Acoustic	TECH Slab MT 3.1
Eurofins Indoor Air Comfort®	IAC Gold	IAC Gold	-
French VOC	A+	A+	A
Finnish M1	•		•



## CARBON FOOTPRINT

Life-cycle stages A1 to C4 from EPD, in conformity with ISO 14025 / EN 15804

kg CO <sub>2</sub> equiv/m <sup>2</sup>	25 mm	35 mm	50 mm
Saga (white cement)	6,41	8,97	12,81
Saga (grey cement)	4,80	6,72	9,60
Saga (white cement) + Saga Acoustic	10,05	12,61	16,45
Saga (grey cement) + Saga Acoustic	8,44	10,36	13,24



## CIRCULARITY

Products are made with FSC certified wood.



## FIRE SAFETY

Country	Fire standard	Class
Europe	EN 13501-1	B-s1,d0



## THERMAL PROPERTIES

Thermal conductivity  $\lambda = 0,1$  W/m·K according to EN 12664.



## HUMIDITY RESISTANCE

Class C, relative humidity 95% and 30°C, according to EN 13964:2014



## VISUAL APPEARANCE

The visible surface with shredded wood gives a natural aesthetic available in three different textures. Light reflectance and nearest NCS colour sample for all the different colours can be found at Ecophon Colours and surfaces. Choosing the perfect colour for your wood wool panels is an important step. Our unpainted Ecophon Saga™ panels feature the natural variations found in real wood, which are part of its character and make it distinctive. Keep in mind that wood is a living material, so ensure that aesthetic meet your needs. Our Saga range also offers a wide selection of painted colours in any custom NCS or RAL colour code as well as a wide range of standard colours.



## CLEANABILITY

Weekly dusting and vacuum cleaning.



## MOULD AND BACTERIAL RESISTANCE

Standard/Method	
ISO 846 A	0
ISO 846 C	0



## ACCESSIBILITY

The tiles are not demountable.



## PACKAGING INFORMATION

Information is indicative and subject to change.

Edge	Panels / crt	m <sup>2</sup> / crt	
600x600x25	B	80	28.80
600x600x35	B	60	21.60
600x600x50	B	40	14.40
1200x600x25	B	40	28.80
1200x600x35	B	30	21.60
1200x600x50	B	20	14.40
2400x600x25	B	40	57.60
2400x600x35	B	30	43.20
2400x600x50	B	20	28.80



## SYSTEM WEIGHT

Weight information for panels only, per fiber size and panel thickness. Data is indicative and subject to variation.

kg/m <sup>2</sup>	25 mm	35 mm	50 mm
Elegant	14.5	16.5	-
Discreet	14.0	16.0	-
Normal	13.5	15.5	19.0



## MECHANICAL PROPERTIES

See table regarding the min- and max- load bearing capacities and functional demands. Additional live load has to be fixed to the soffit.



## IMPACT RESISTANCE

Tested and classified according to EN 13964 annex D.

Thickness	M-sketch	Classification
25 (Elegant)	M575, M576	1A
35 (Elegant)	M575, M576	1A



## CE

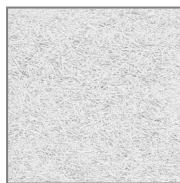
Ecophon Saga products are CE-marked according to the European harmonized standard EN13964:2014 (suspended ceilings). CE marked construction products are covered by a Declaration of Performance (DOP) which enables customers and users to easily compare performance of products available on the European market.

## COLOURS AND DESIGN

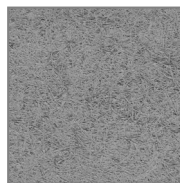
### Saga



Natural



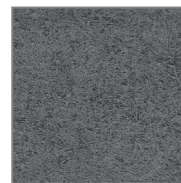
White



Cement Grey



Light Grey



Dark Grey



Glade



Lush



Sand



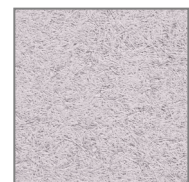
Mountain



Summer



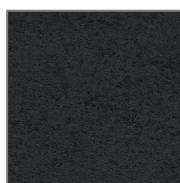
Coastline



Lilac



Fog



Black



Custom Colour

**Surface structure**



Elegant

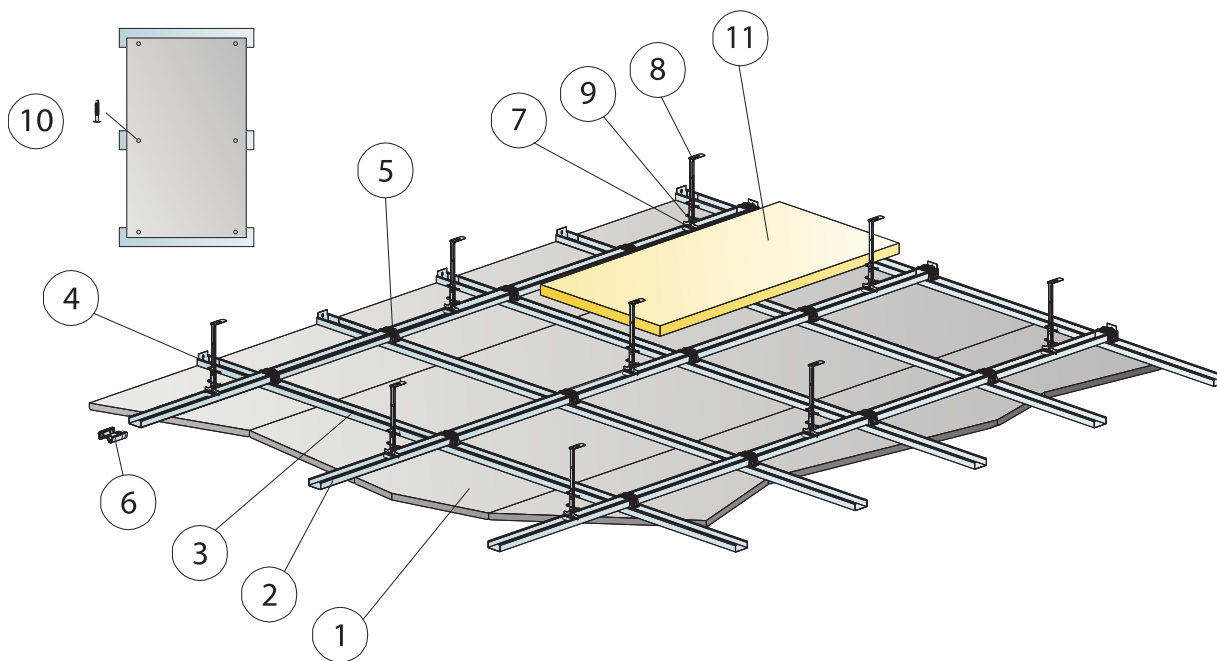


Discreet



Normal

Suspended ceiling

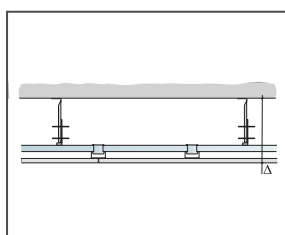


©Saint Gobain Ecophon AB

Installation diagram (M575) for Ecophon Saga B, impact resistant system with grids.

Quantity specification (excl. wastage)

	Size, mm		
	600x600	1200x600	2400x600
1 Saga B (Elegant only for impact resistance)	2,8/m <sup>2</sup>	1,4/m <sup>2</sup>	-
2 Connect C-profile Plus, L=3100 mm, installed 900 mm centres	1,3m/m <sup>2</sup>	1,3m/m <sup>2</sup>	-
3 Connect C-profile Plus, L=3100 mm, installed 600 mm centres	1,7m/m <sup>2</sup>	1,7m/m <sup>2</sup>	-
4 Connect Wall bracket Plus	as required	as required	-
5 Connect X-connector Plus	7,4/m <sup>2</sup>	7,4/m <sup>2</sup>	-
6 Connect Splice connector Plus	1,2/m <sup>2</sup>	1,2/m <sup>2</sup>	-
7 Connect Nonius hanger lower, installed at 900 mm centres	1,2/m <sup>2</sup>	1,2/m <sup>2</sup>	-
8 Connect Nonius hanger upper, installed at 900 mm centres	1,2/m <sup>2</sup>	1,2/m <sup>2</sup>	-
9 Connect Split pin (2/hanger)	2,3/m <sup>2</sup>	2,3/m <sup>2</sup>	-
10 Connect Saga Fixation	4pcs/panel	6pcs/panel	-
11 Saga Acoustic or TECH Slab MT 3.1 (if required)	as required	as required	as required
Δ Min. overall depth of system: 310 mm			
δ Min. demounting depth: The system is not demountable			

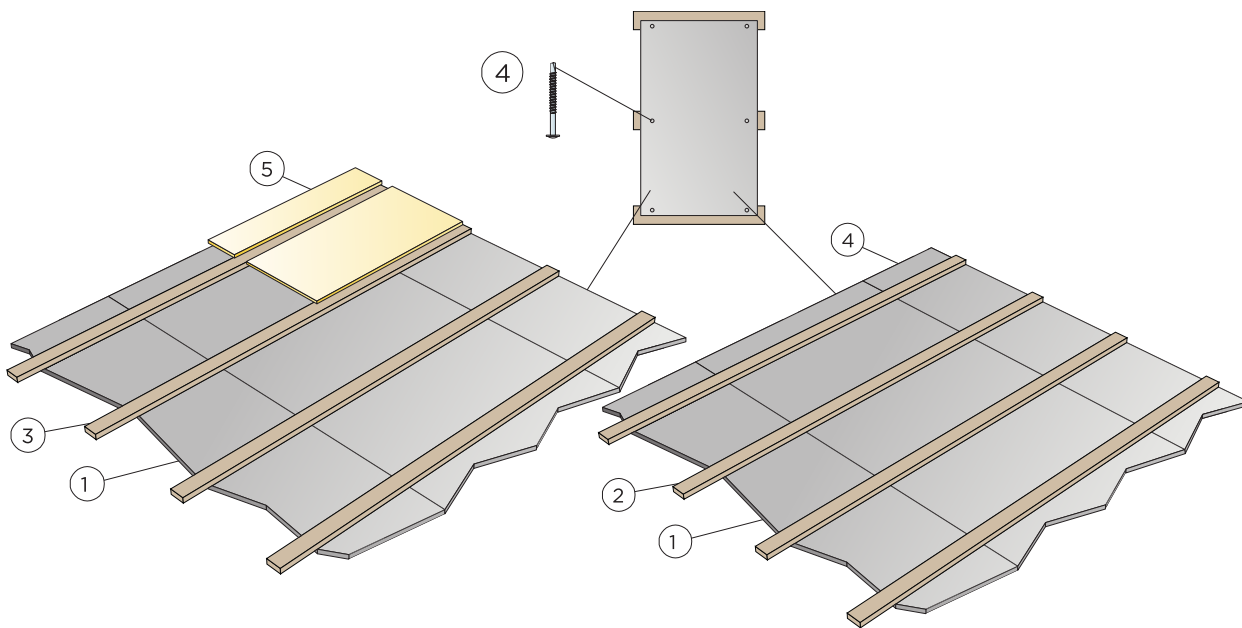


See Quantity specification

Size, mm	Max live load (N)	Min load bearing capacity (N)
600x600x25	0	160
600x600x35	0	160
1200x600x25	0	160
1200x600x35	0	160
2400x600x25	0	160
2400x600x35	0	160

Live load/load bearing capacity

Screwed installation



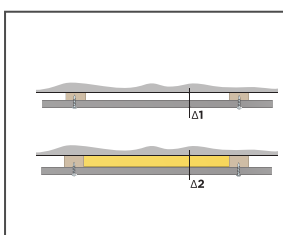
© Saint-Gobain Ecophon AB

Installation diagram (M576) for Ecophon Saga B, direct fixing system (ceiling).

Quantity specification (excl. wastage)

	Size, mm		
	600x600	1200x600	2400x600
1 Saga B	2,8/m <sup>2</sup>	1,4/m <sup>2</sup>	-
2 Mounting wood laths 28x70, installed 600 mm centres	1,7/m <sup>2</sup>	1,7/m <sup>2</sup>	1,7/m <sup>2</sup>
3 Alt Mounting wood laths 45x70, installed 600 mm centres for Saga Acoustic	1,7/m <sup>2</sup>	1,7/m <sup>2</sup>	1,7/m <sup>2</sup>
4 Connect Saga Fixation	4pcs/panel	6pcs/panel	10pcs/panel
5 Saga Acoustic or TECH Slab MT 3.1 (if required)	as required	as required	as required

Δ Min. overall depth of system: Δ1 50 mm / Δ2 70 mm The system is not demountable

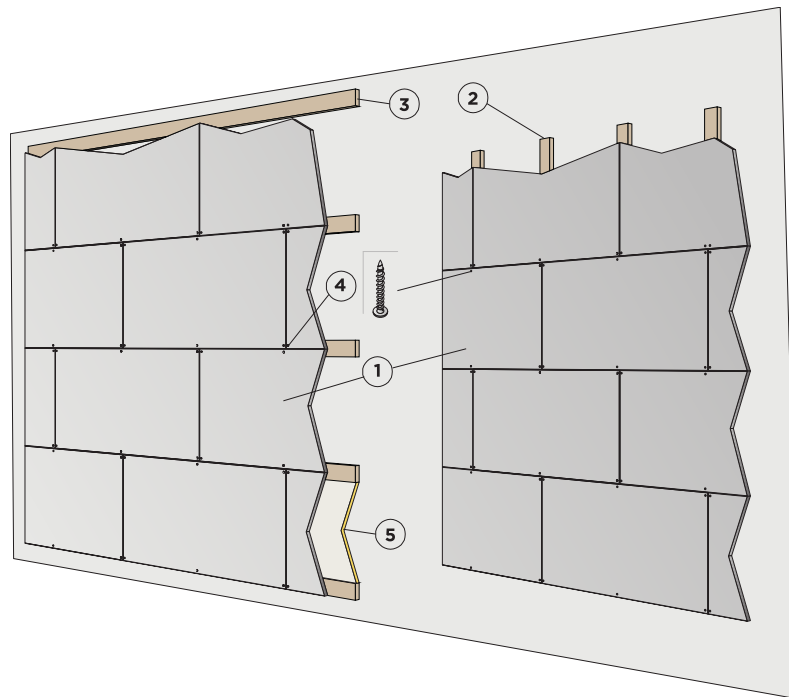


See Quantity specification

Size, mm	Max live load (N)	Min load bearing capacity (N)
600x600x25	-	-
600x600x35	-	-
600x600x50	-	-
1200x600x25	-	-
1200x600x35	-	-
1200x600x50	-	-

Live load/load bearing capacity

Wall installation

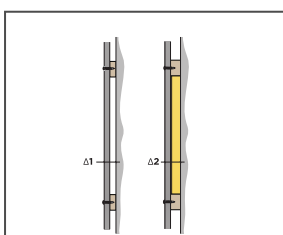


© Saint-Gobain Ecophon AB  
Installation diagram (M578) for Ecophon Saga B, lathing wall system.

Quantity specification (excl. wastage)

	Size, mm		
	600x600	1200x600	2400x600
1 Saga B	2,8/m <sup>2</sup>	1,4/m <sup>2</sup>	-
2 Mounting wood laths 28x70, installed 600 mm centres	1,7/m <sup>2</sup>	1,7/m <sup>2</sup>	1,7/m <sup>2</sup>
3 Alt Mounting wood laths 45x70, installed 600 mm centres for Saga Acoustic	1,7/m <sup>2</sup>	1,7/m <sup>2</sup>	1,7/m <sup>2</sup>
4 Connect Saga Fixation	4pcs/panel	6pcs/panel	10pcs/panel
5 Saga Acoustic or TECH Slab MT 3.1 (if required)	as required	as required	as required

Δ Min. overall depth of system: Δ1 50 mm / Δ2 70 mm The system is not demountable



See Quantity specification

Size, mm	Max live load (N)	Min load bearing capacity (N)
600x600x25	-	-
600x600x35	-	-
600x600x50	-	-
1200x600x25	-	-
1200x600x35	-	-
1200x600x50	-	-

Live load/load bearing capacity