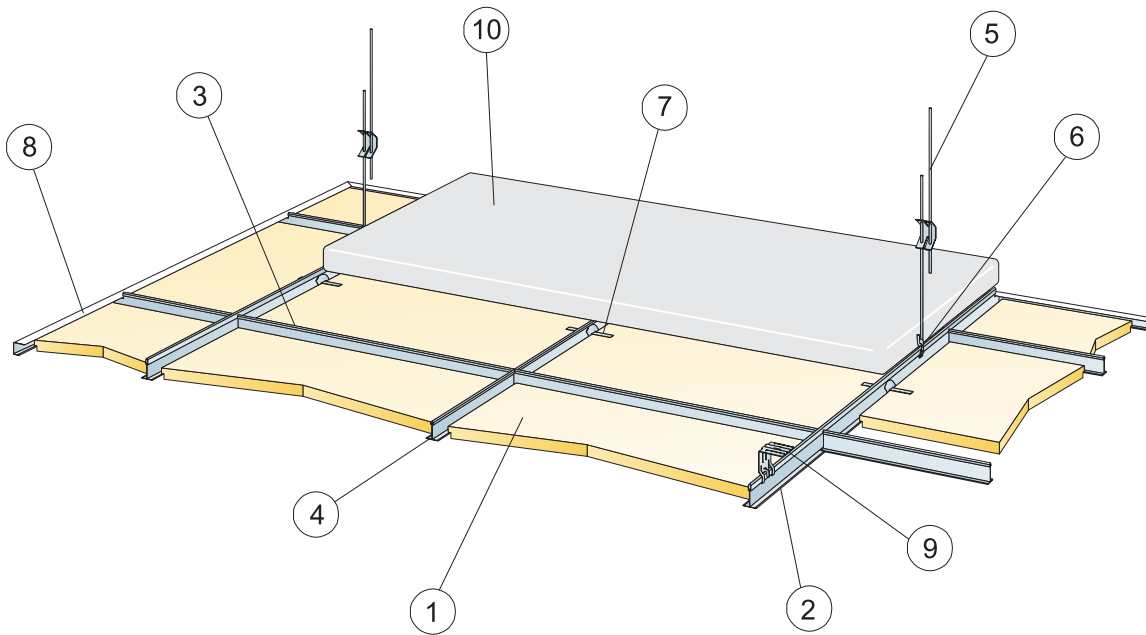
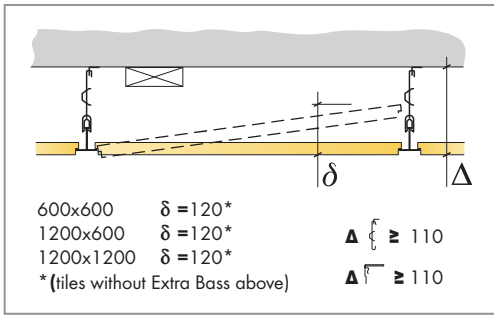


Master Rigid E

600x600, 1200x600, 1200x1200

M317



1. Ecophon Master Rigid E

2. Connect T24 Main runner

3. Connect T24 Cross tee,
L=1200

4. Connect T24 Cross tee,
L=600

5. Connect Adjustable hanger

6. Connect Hanger clip

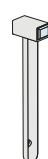
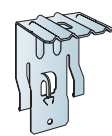
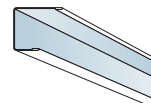
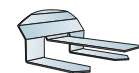
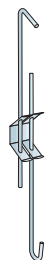
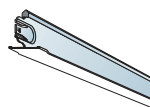
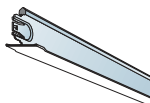
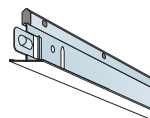
7. Connect Hold down clip E

8. Connect Channel trim

9. Connect Direct fixing bracket

10. Ecophon Extra Bass 1200x600x50

11. Connect Demounting tool

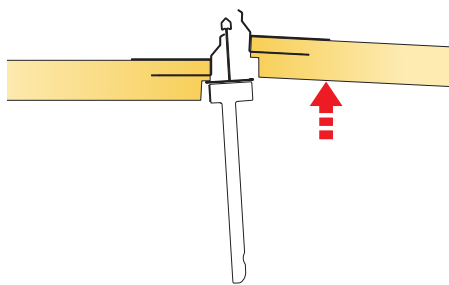


Demounting

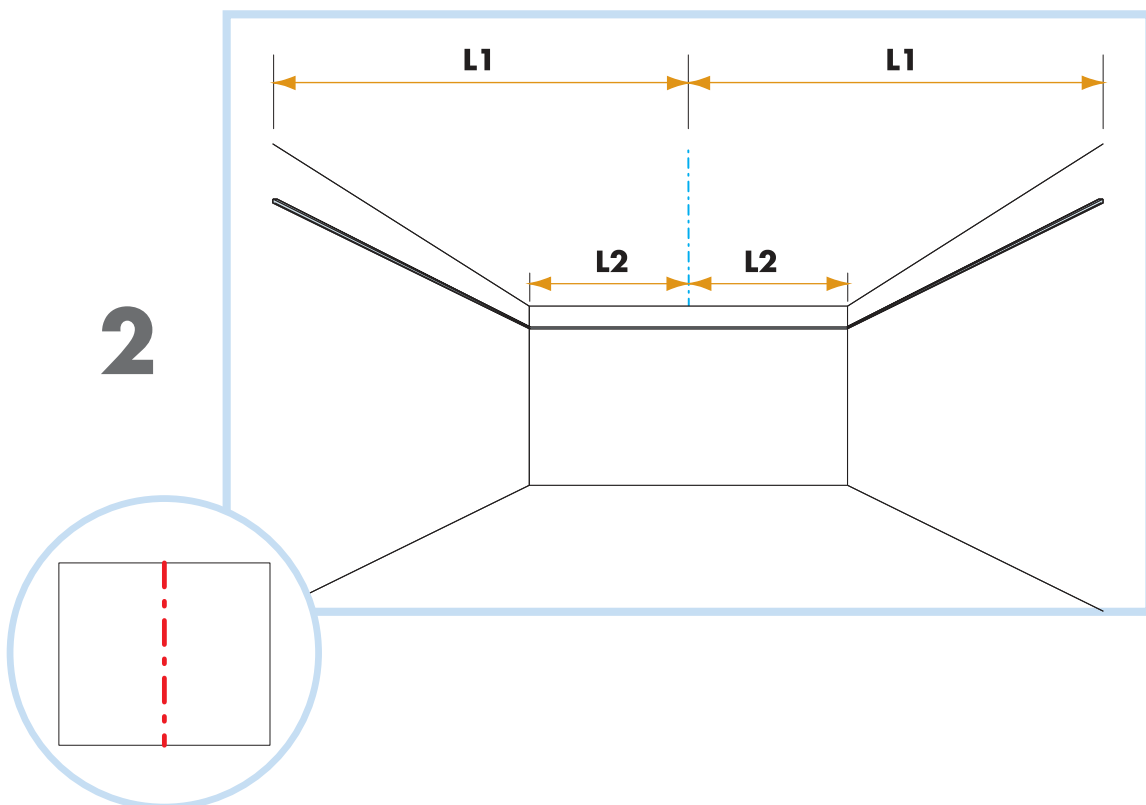
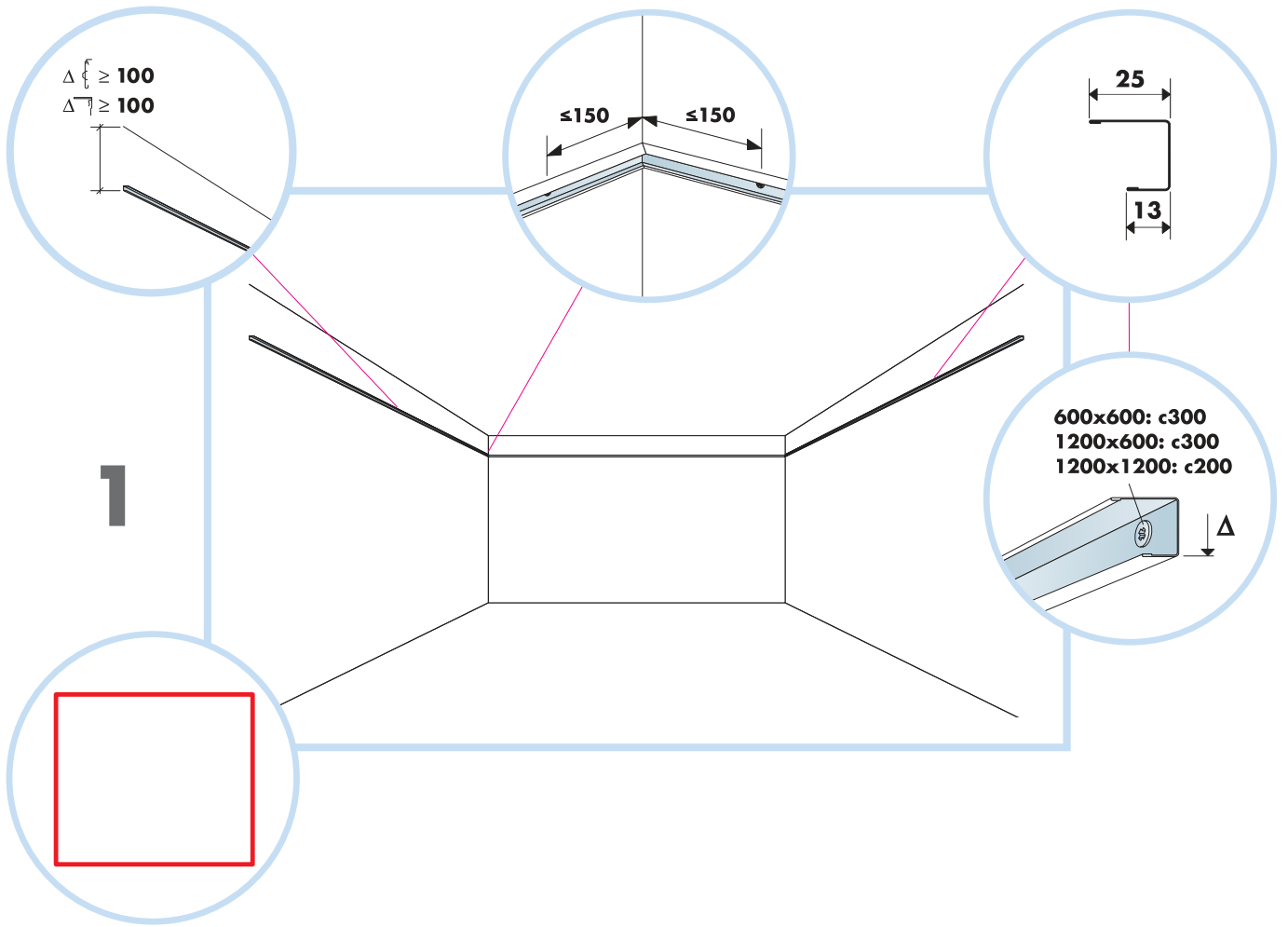
600x600 → 30

1200x600 → 31

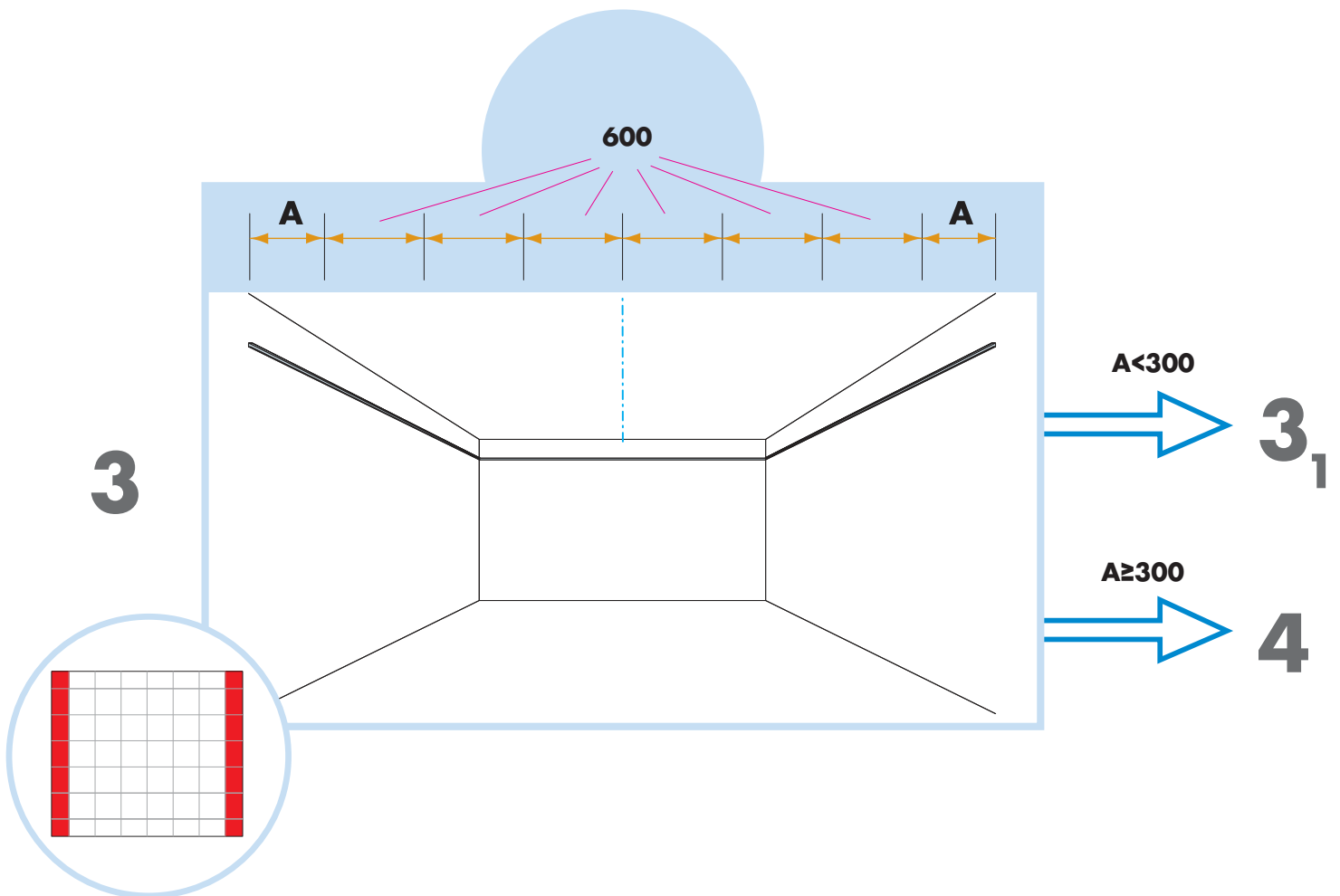
1200x1200 → 32

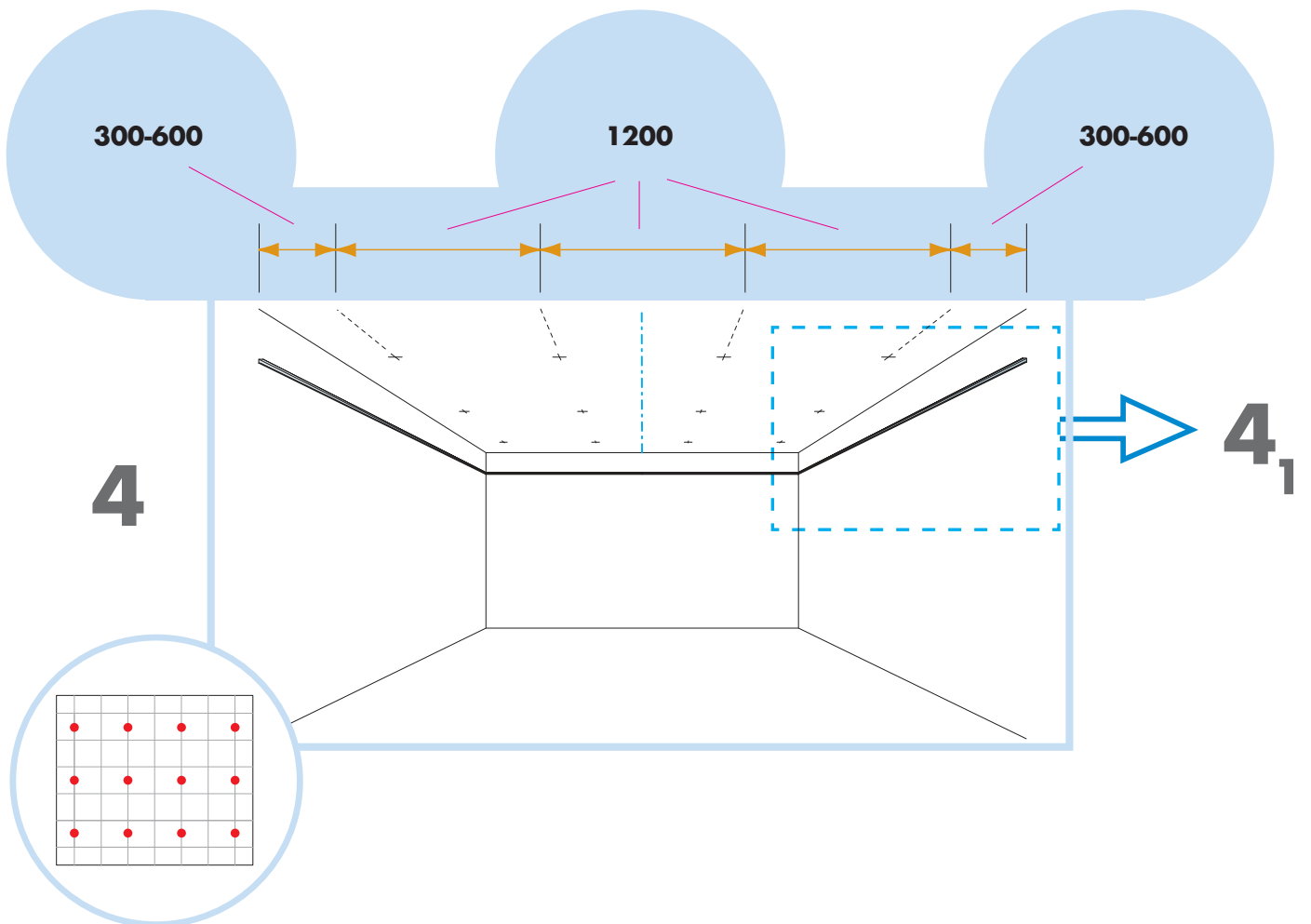
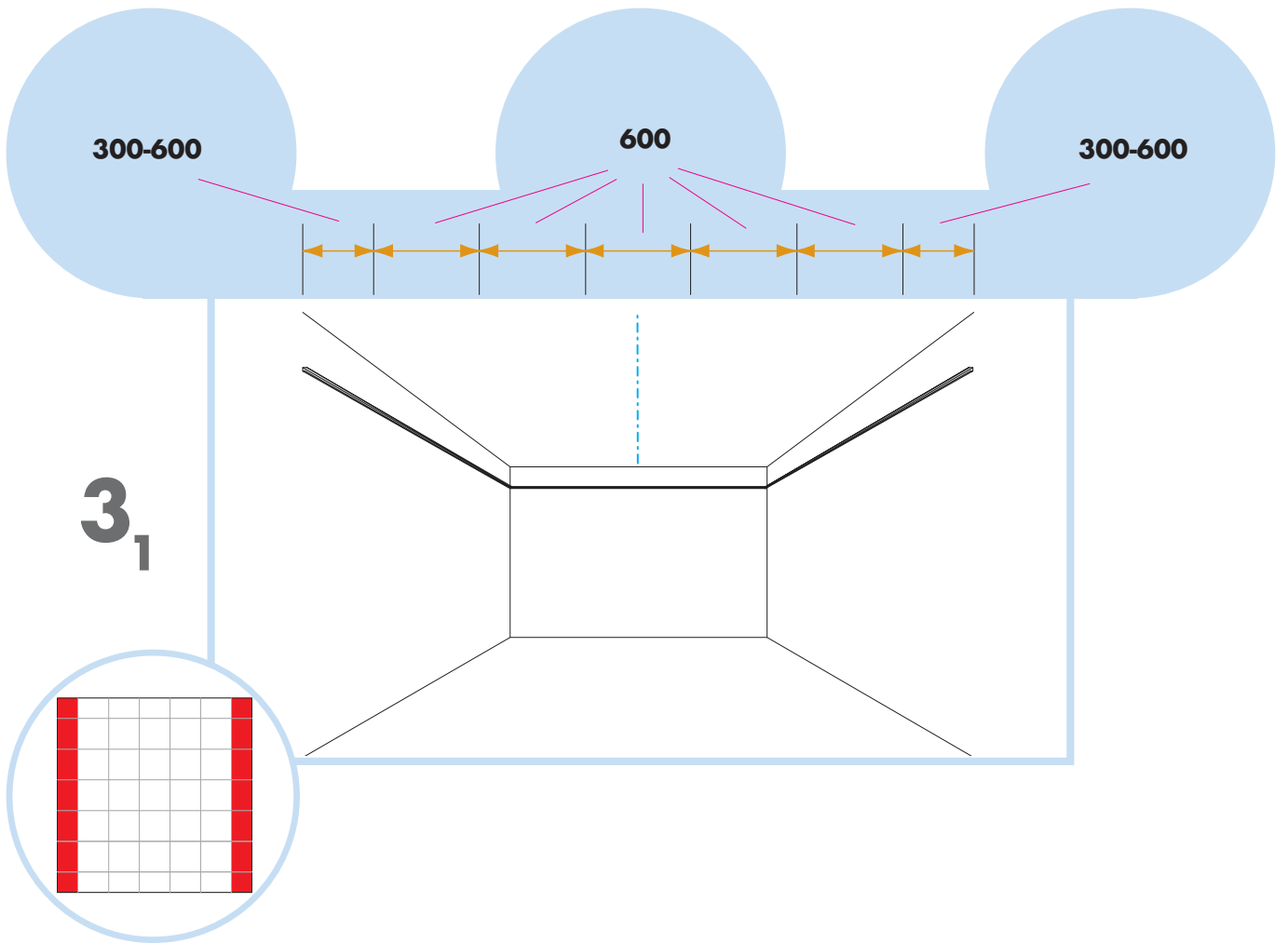


Ecophon
SAINT-GOBAIN

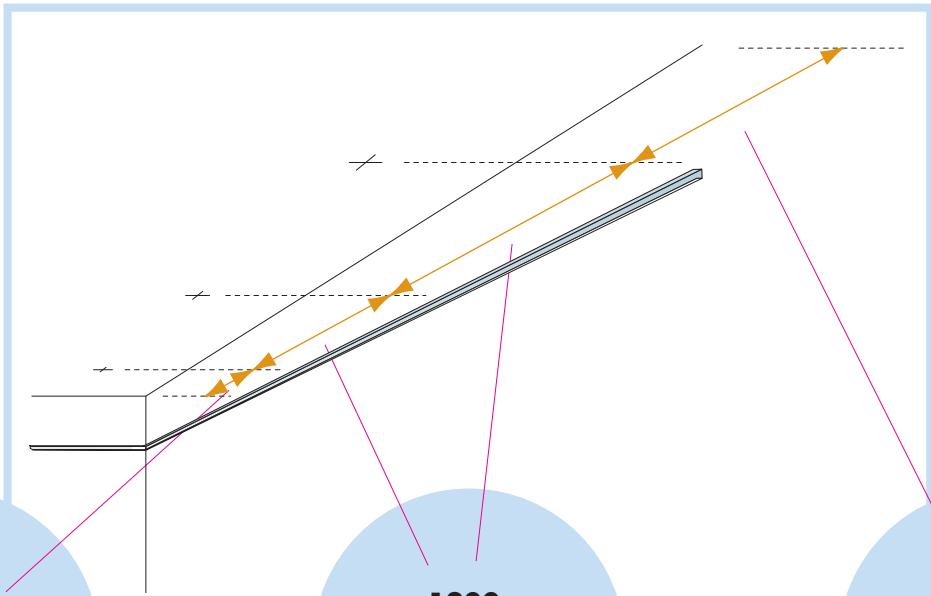


600x600 → 3
1200x600 → 3
1200x1200 → 19





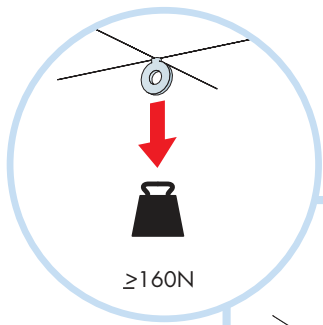
4₁



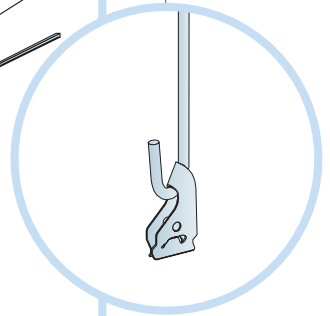
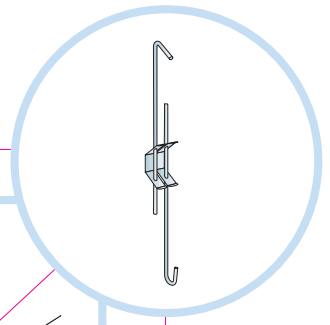
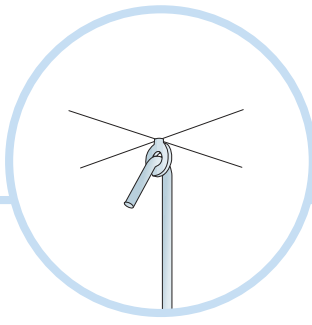
≤ 600

1200

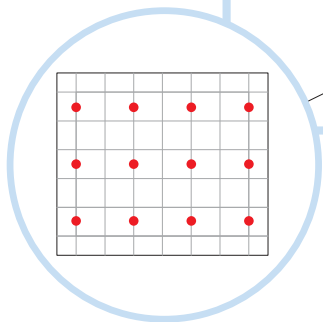
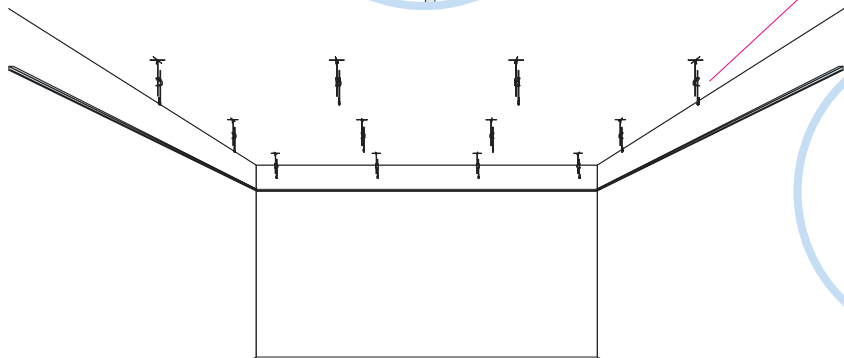
≤ 600

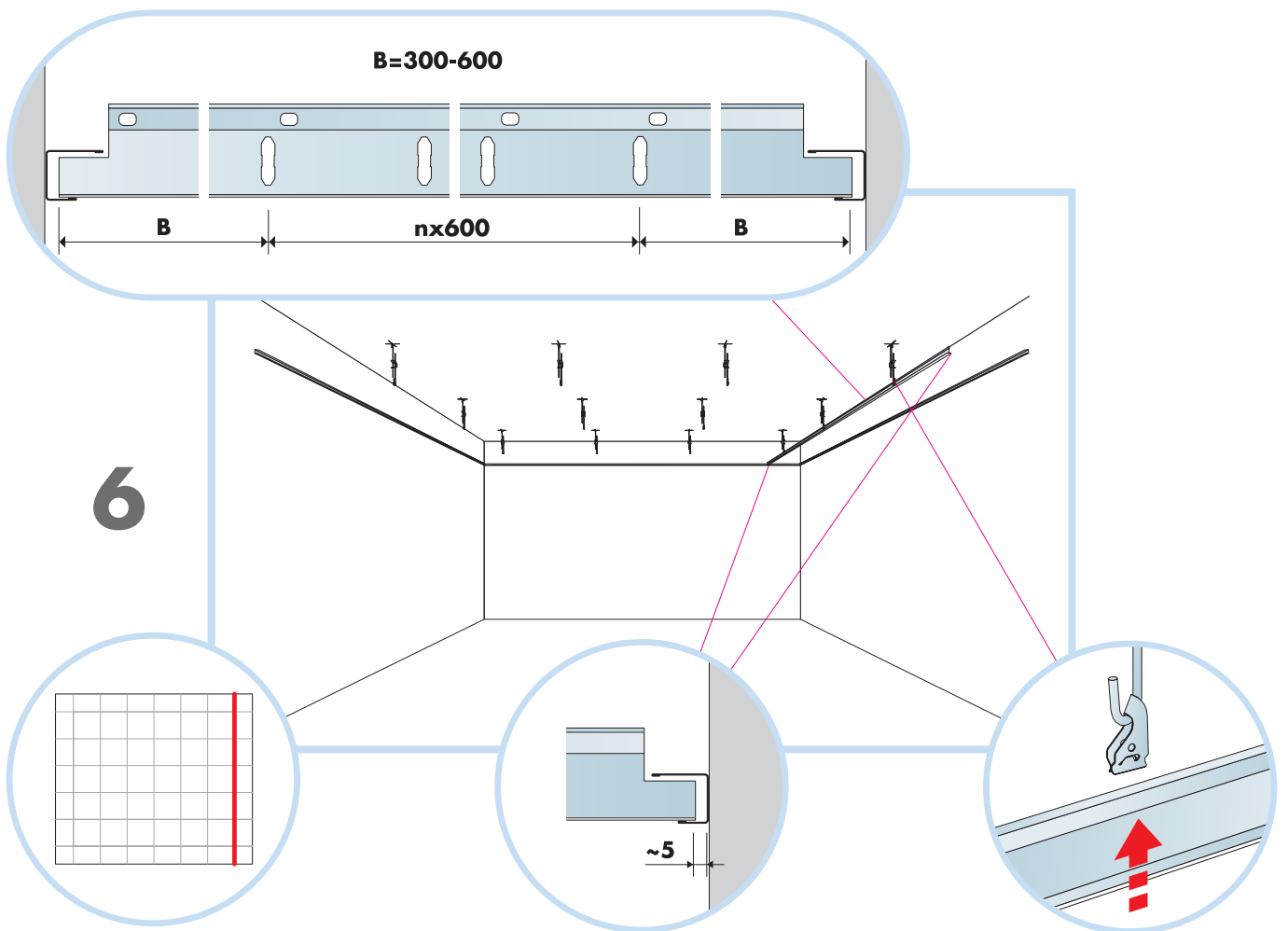
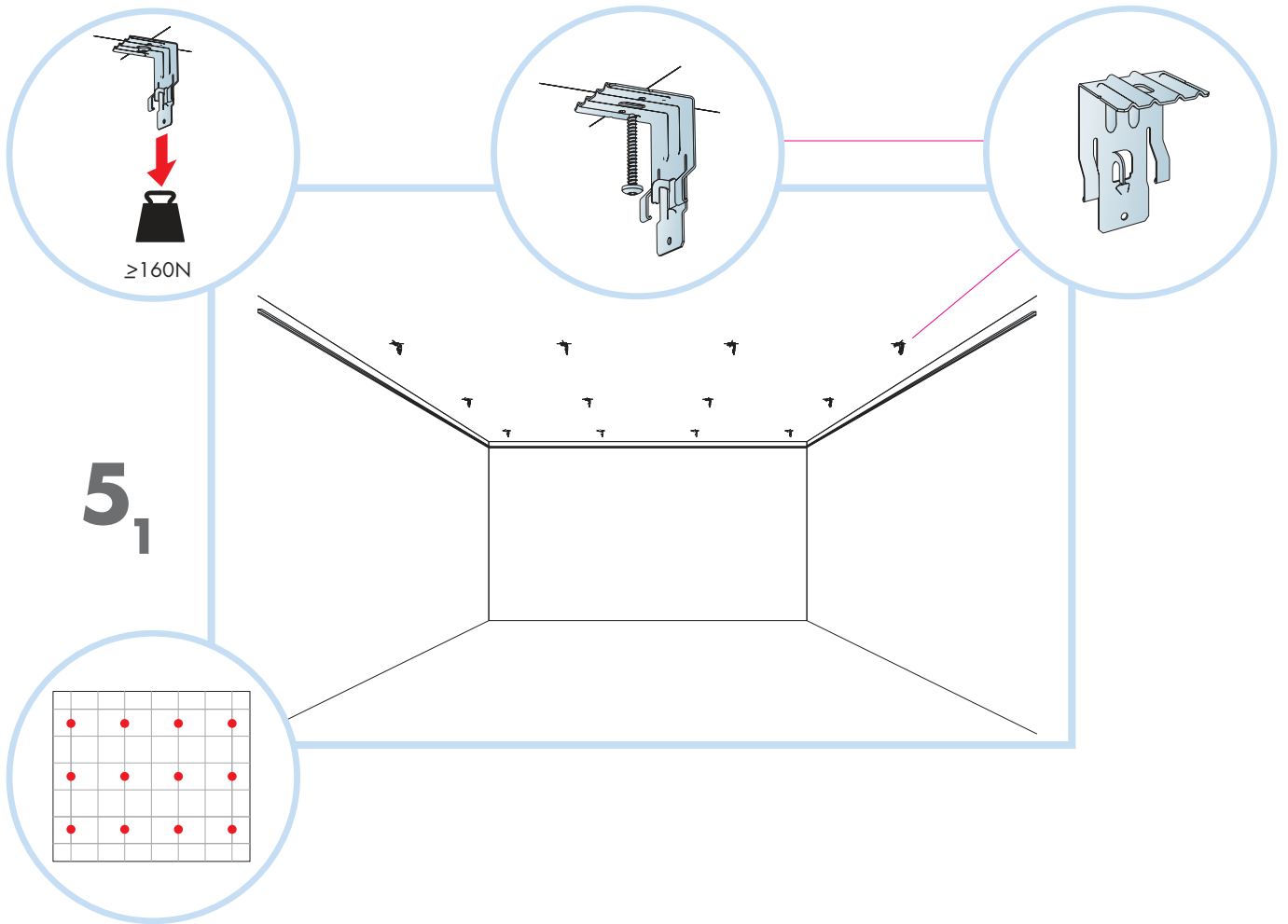


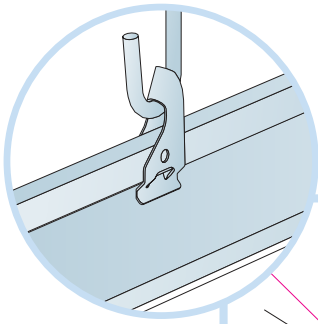
$\geq 160N$



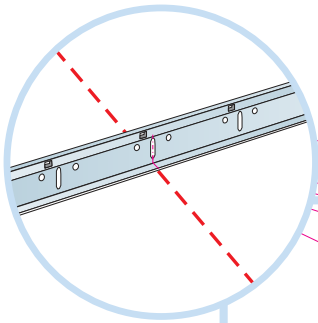
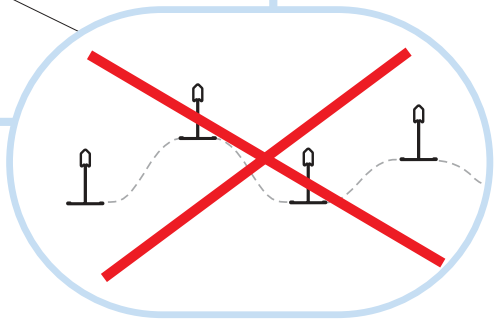
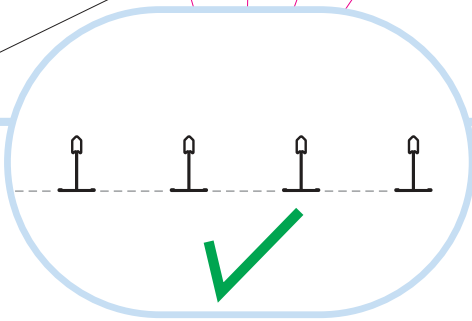
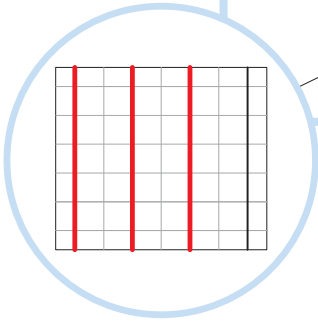
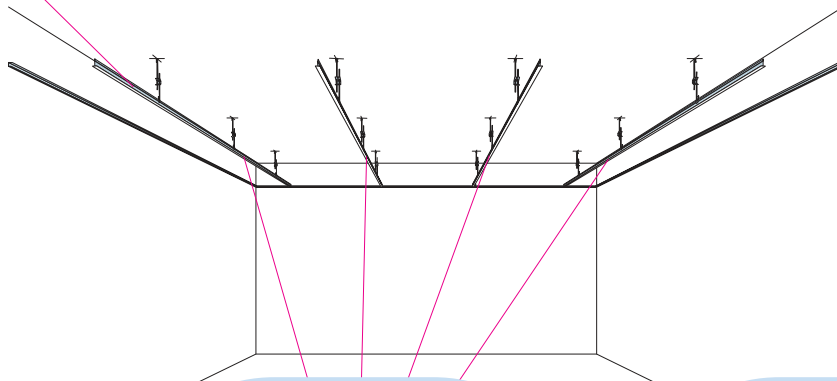
5



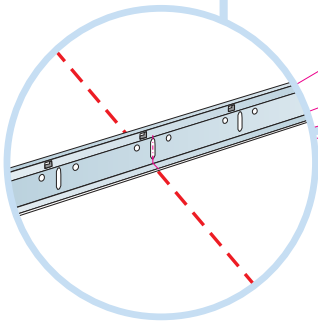
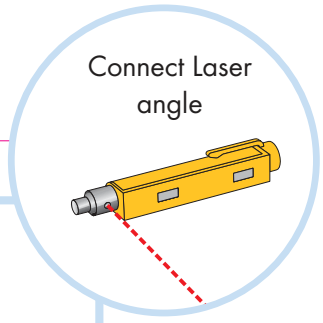
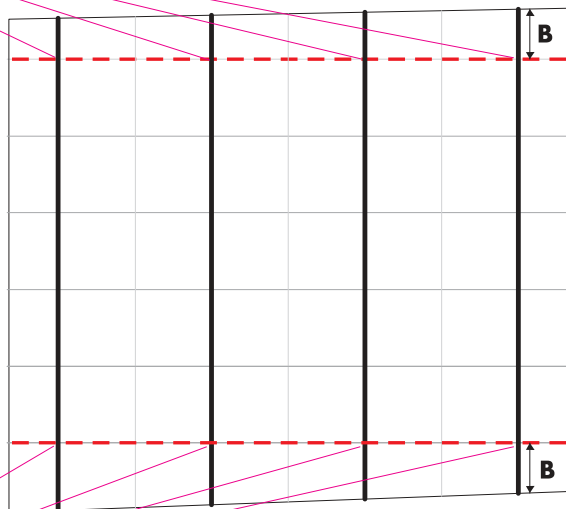


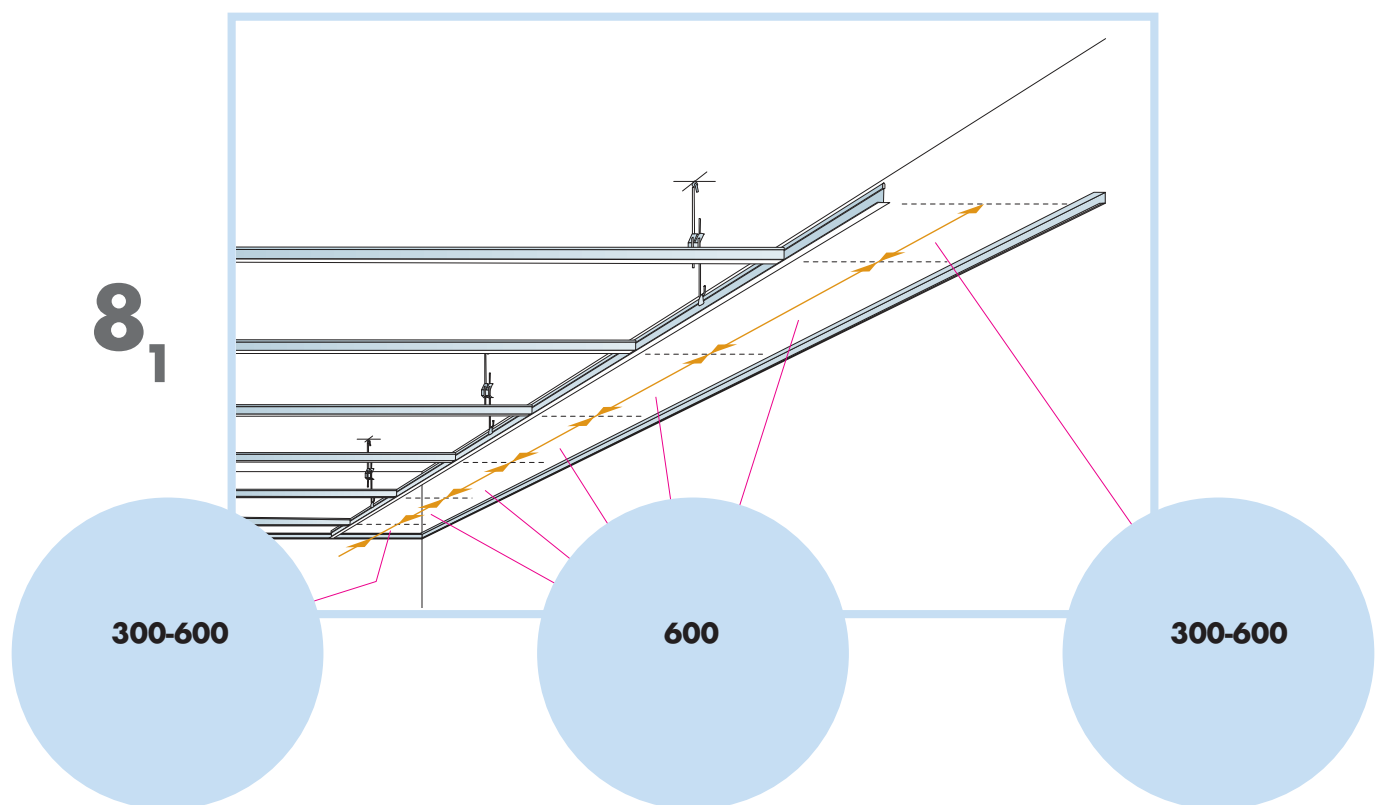
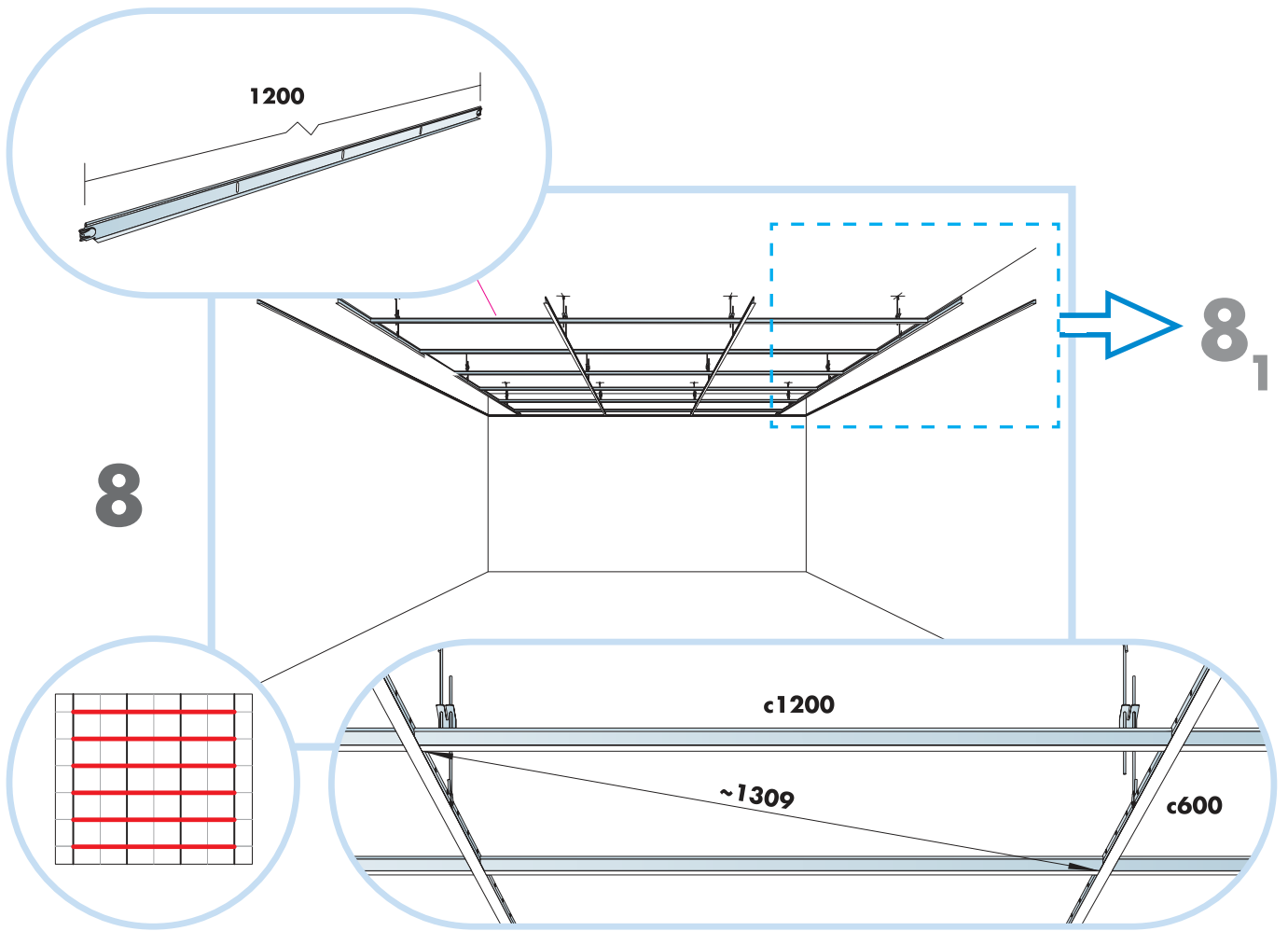


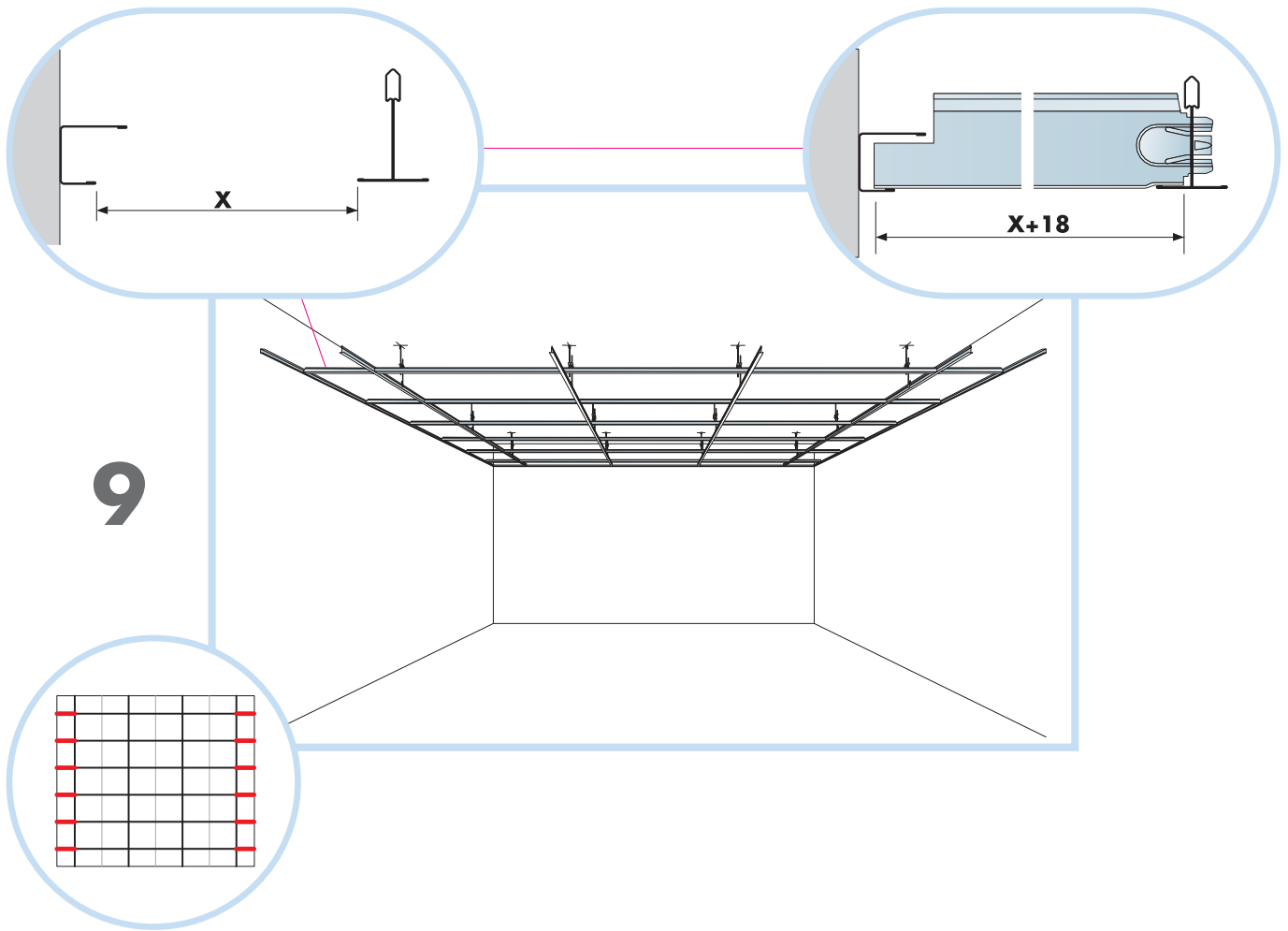
7



7₁

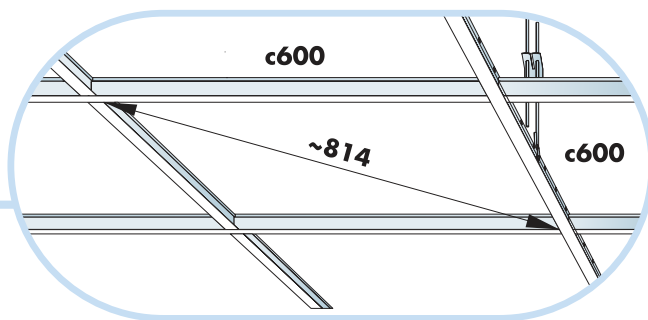
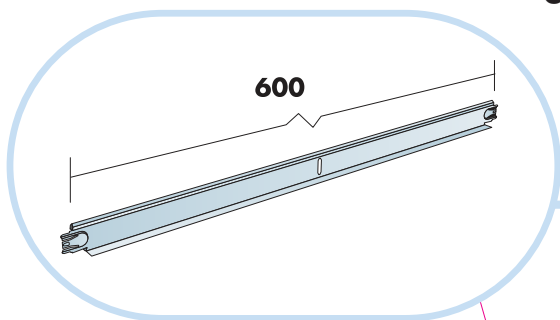




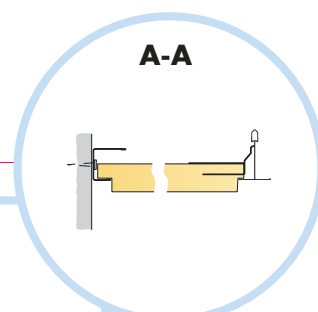
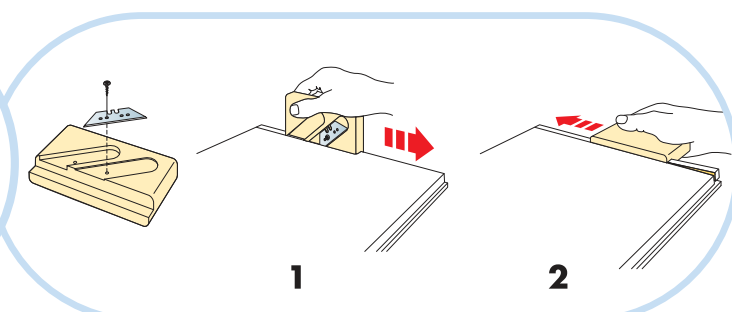
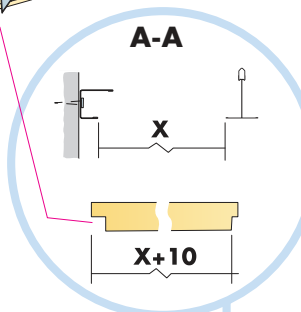
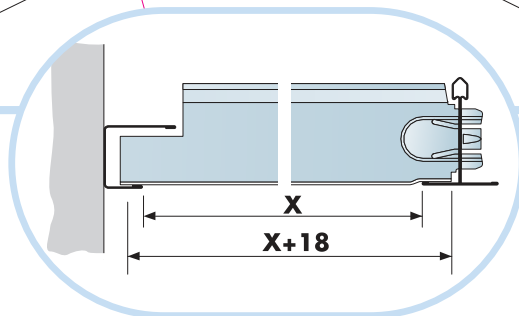
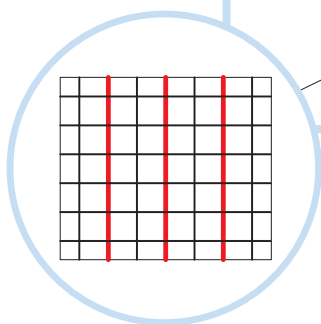
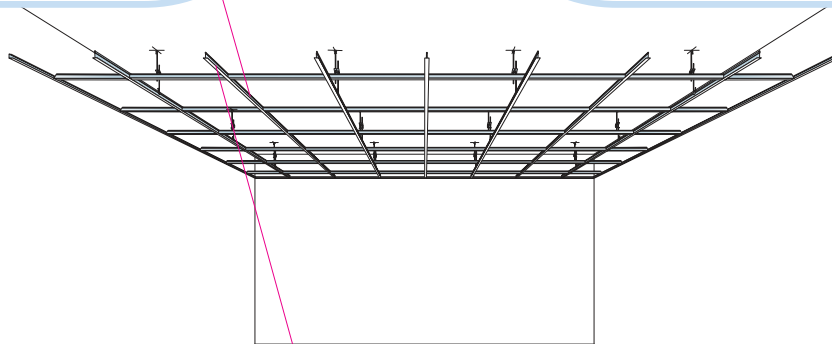


600x600 → 10
1200x600 → 15

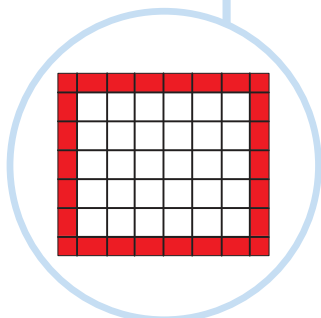
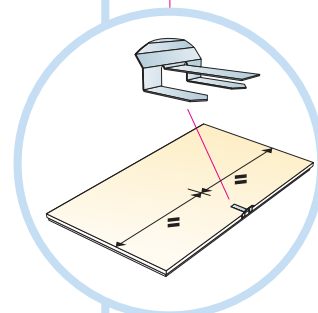
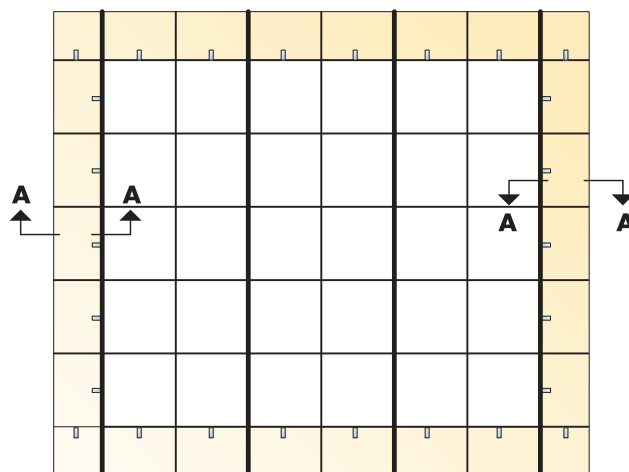
600x600

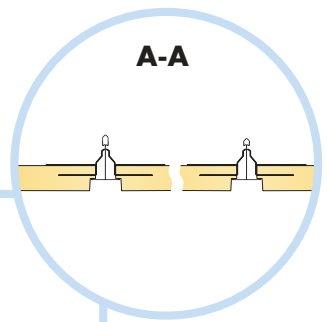
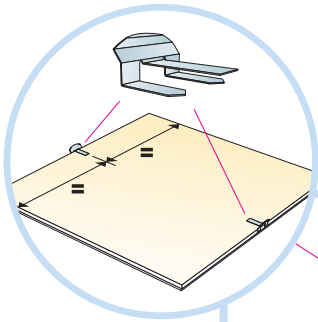


10

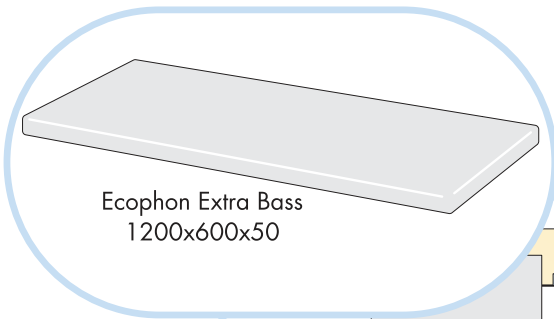
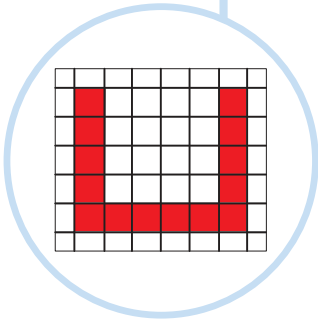
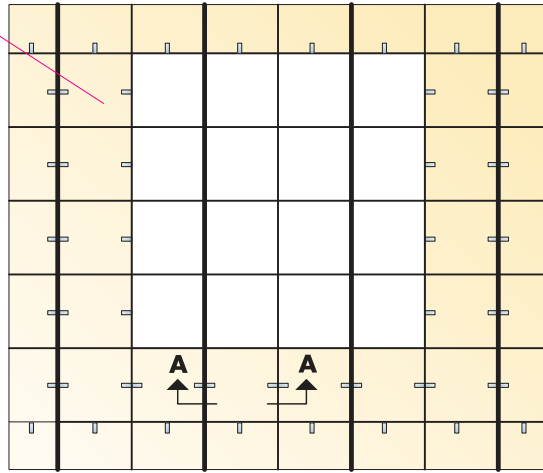


11





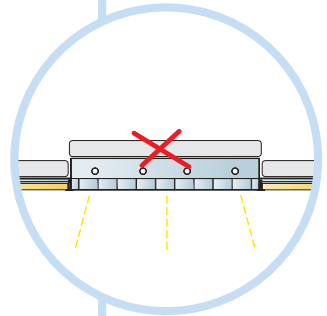
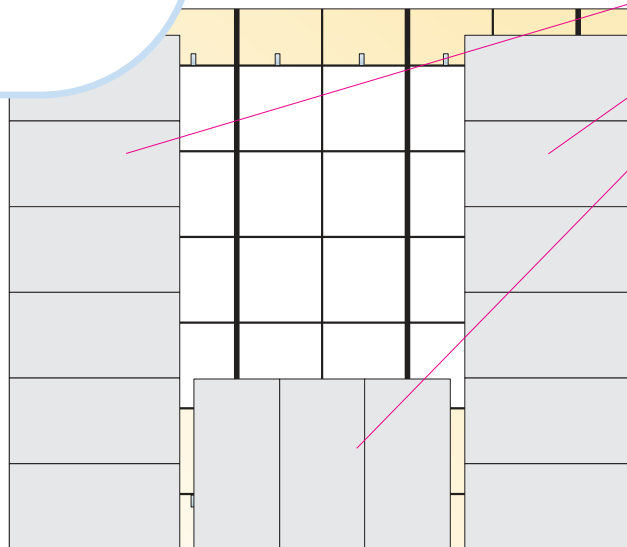
12

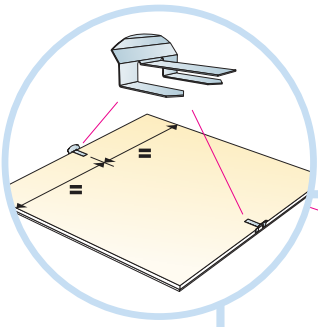


Ecophon Extra Bass
1200x600x50

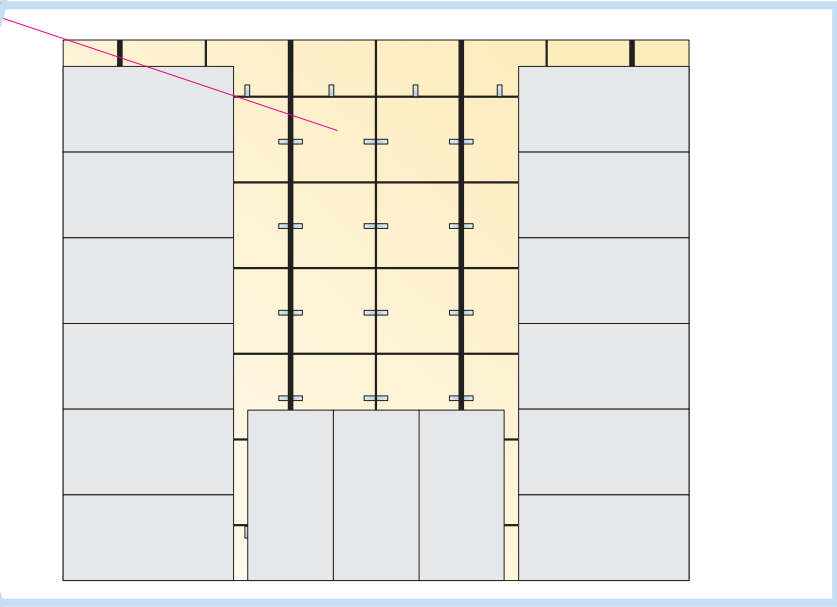
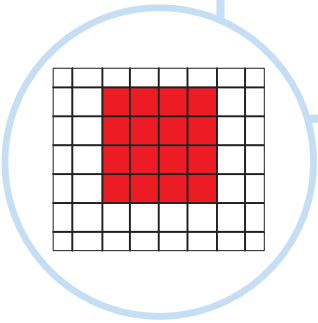


13

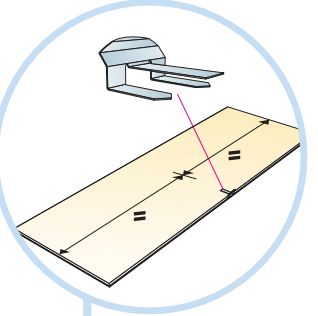
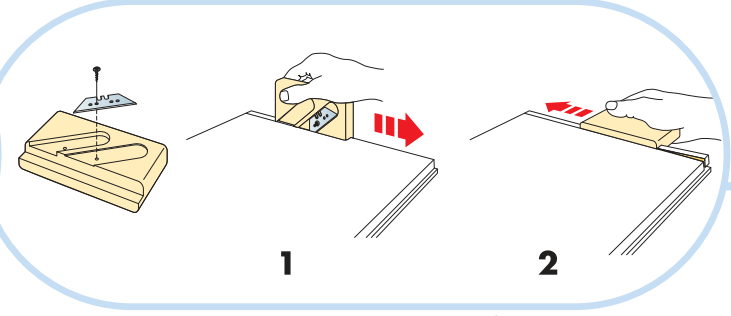
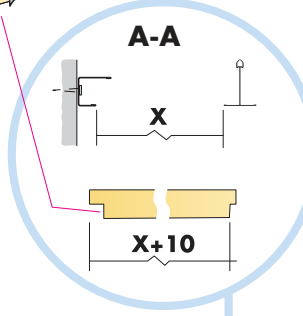




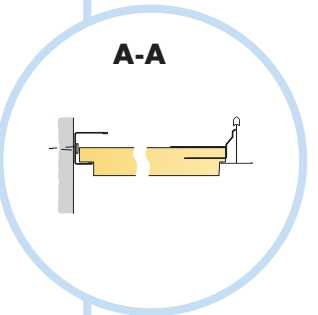
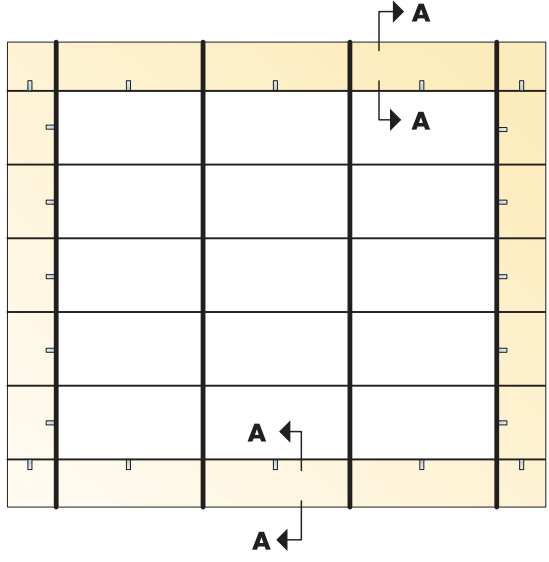
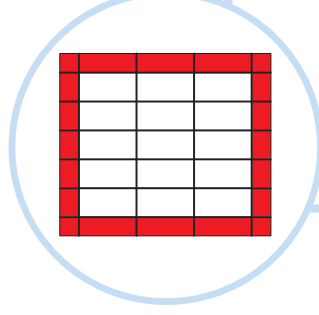
14



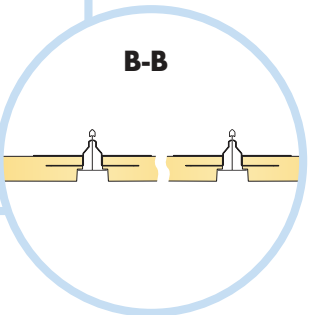
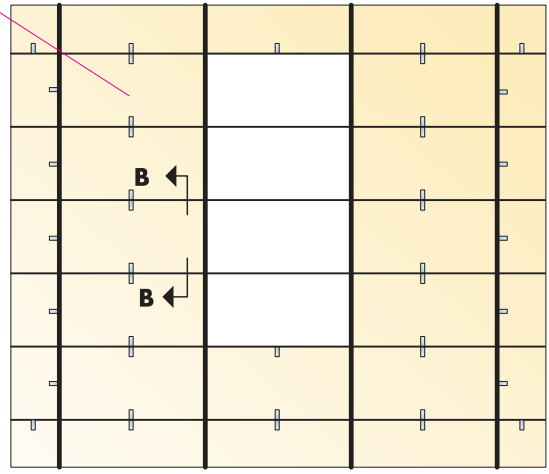
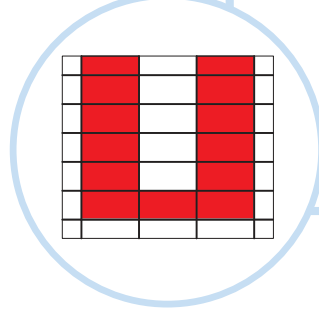
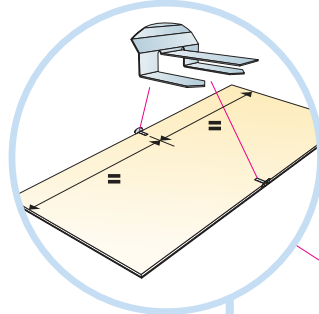
1200x600

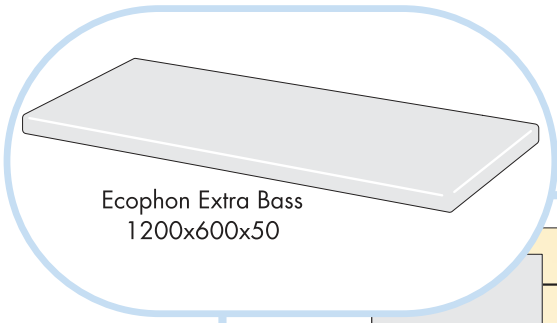


15



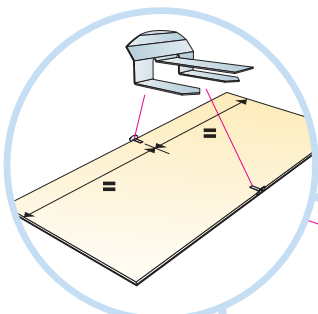
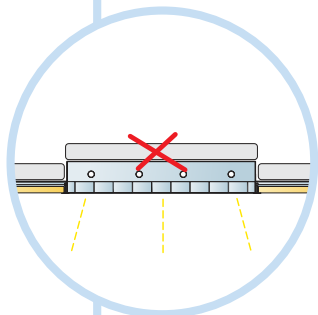
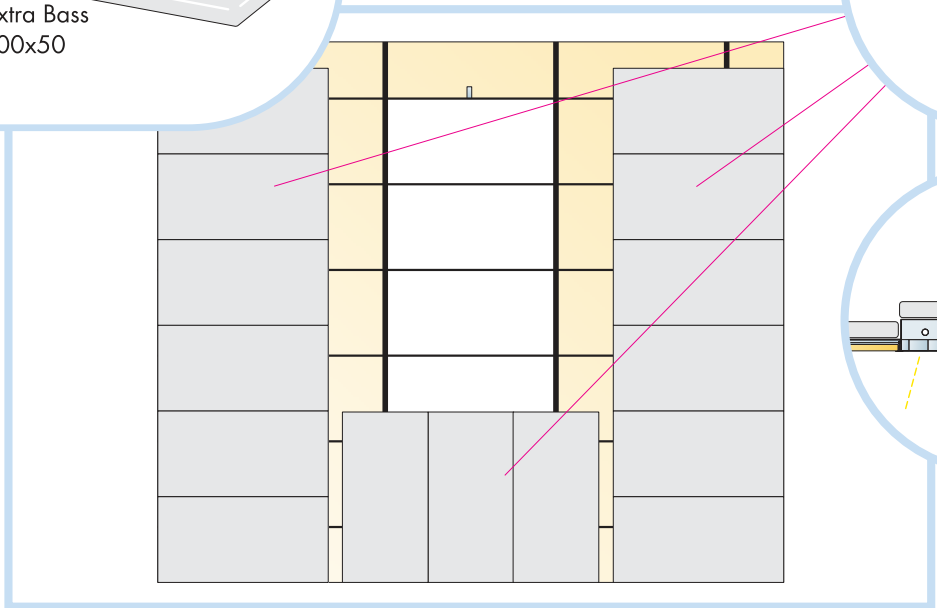
16



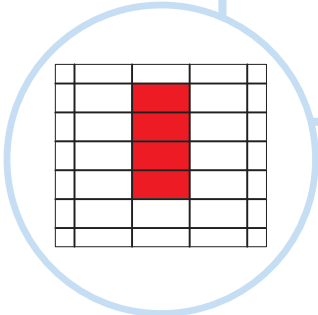
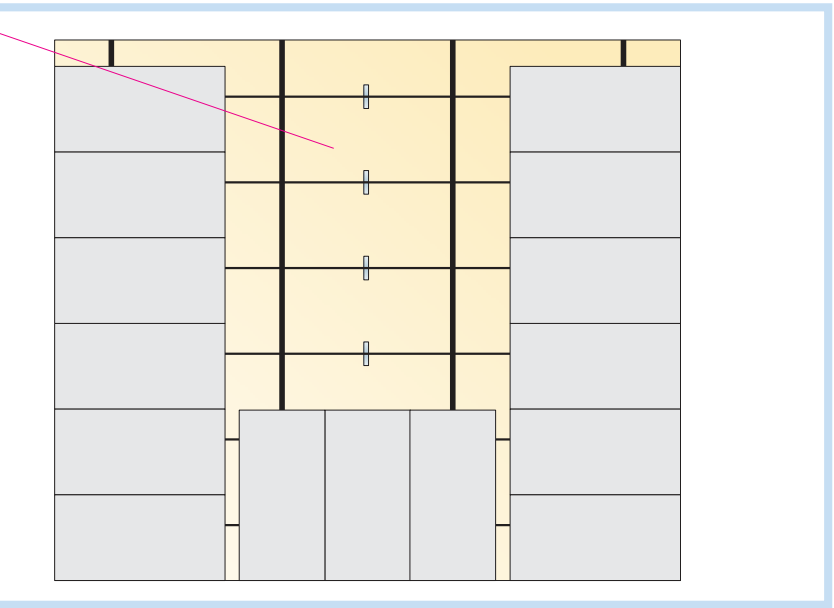


~50%

17



18



1200x1200

1200

A

A

19

$A \geq 600$

20

$A < 600$

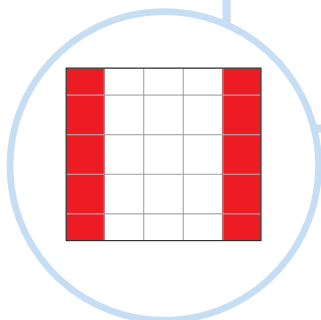
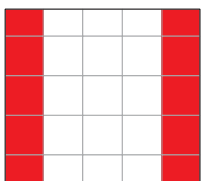
19₁

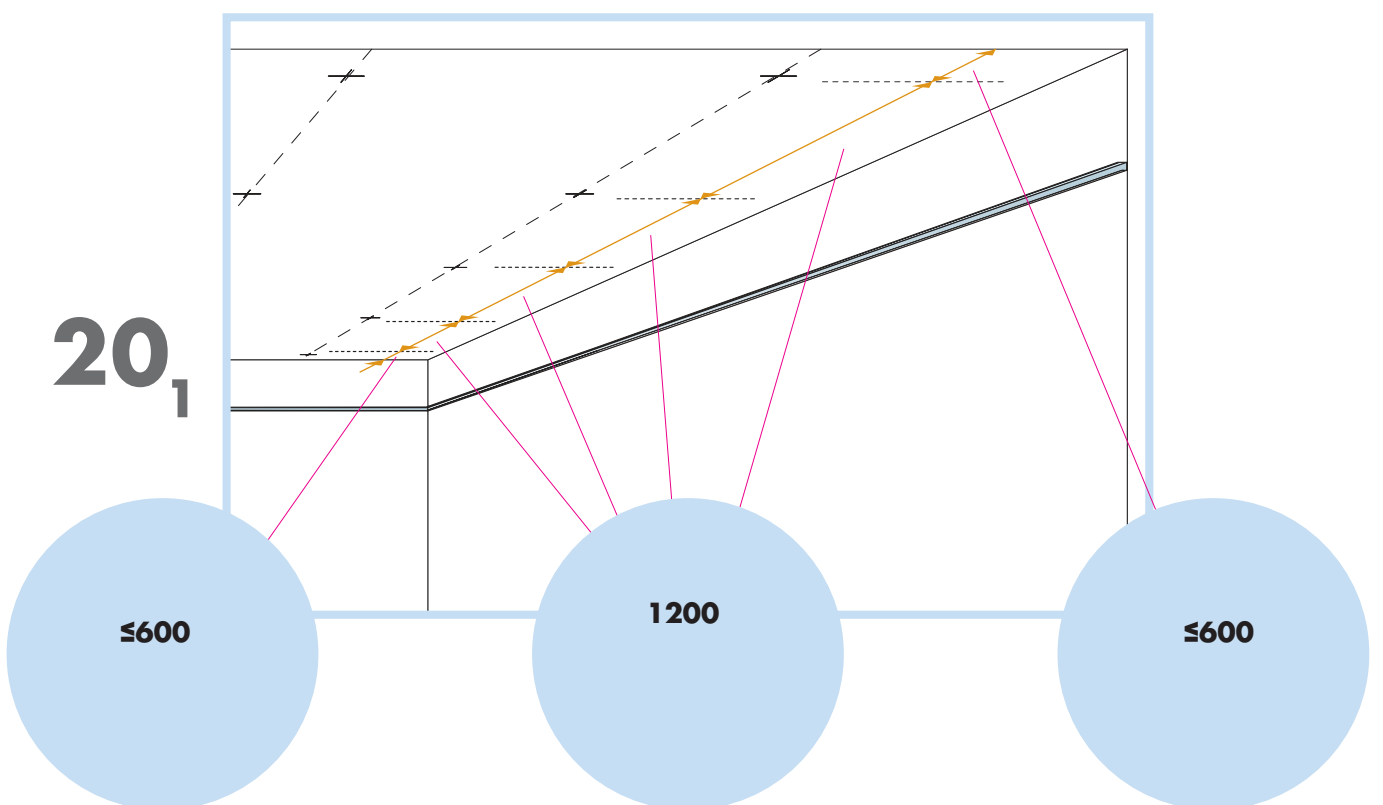
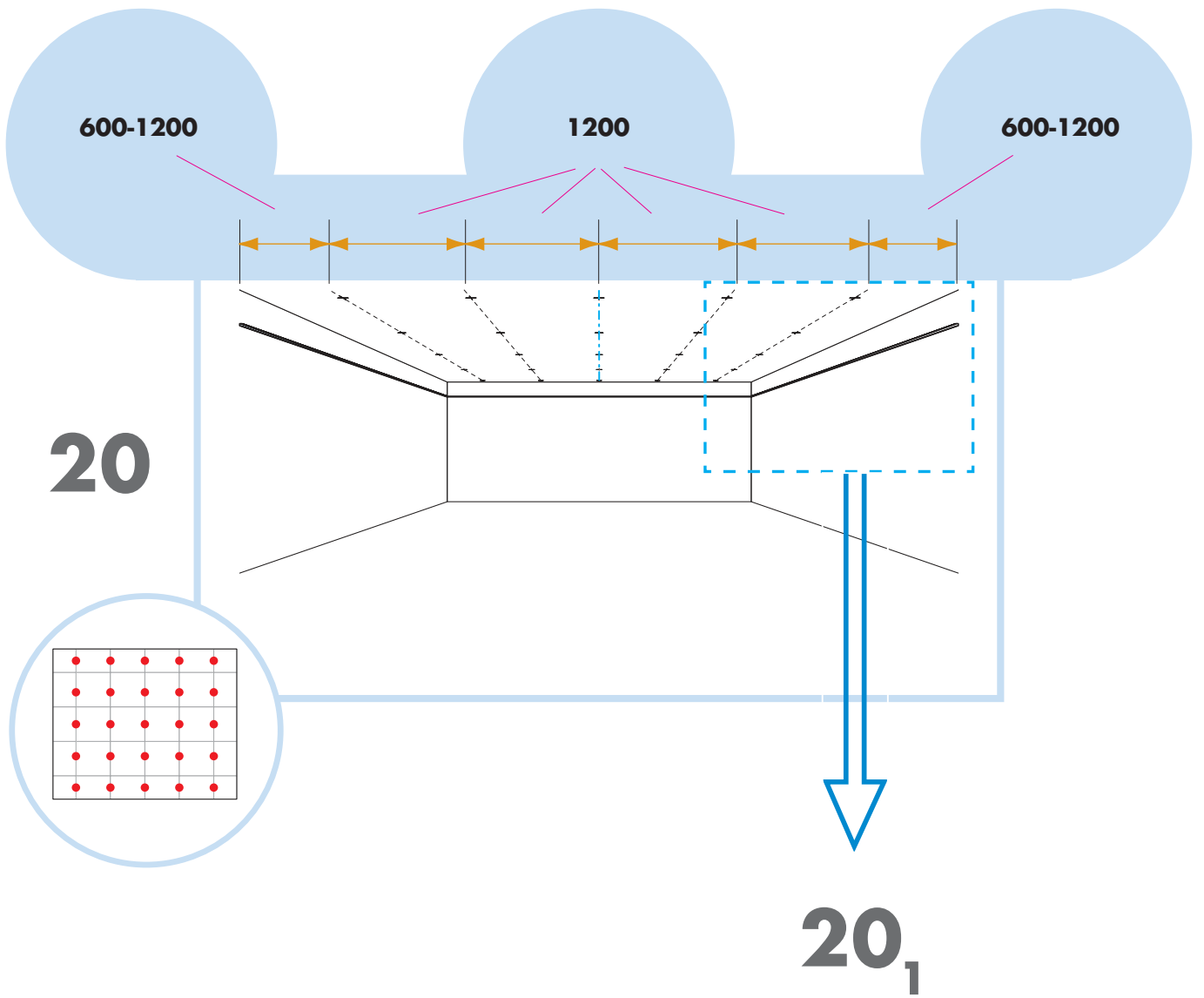
600-1200

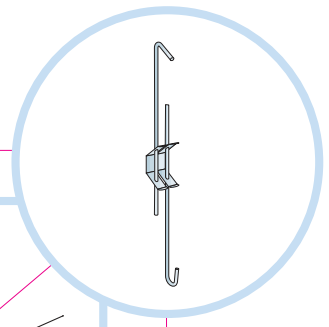
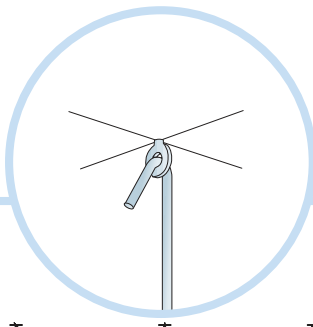
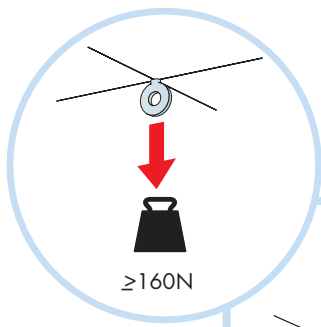
1200

600-1200

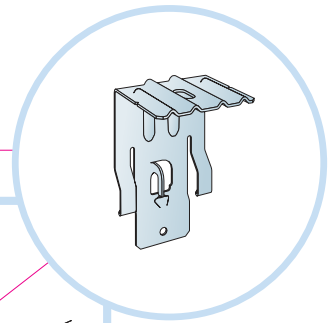
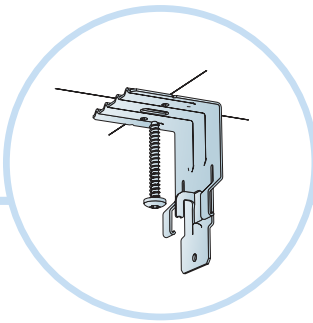
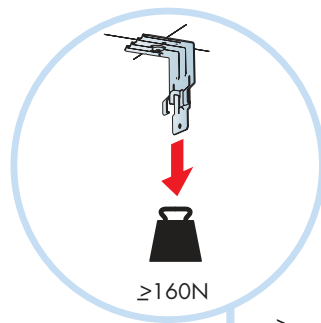
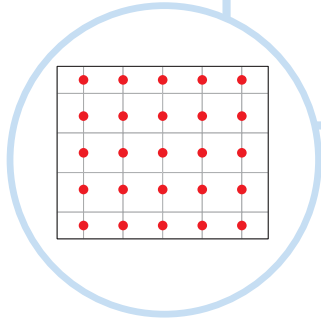
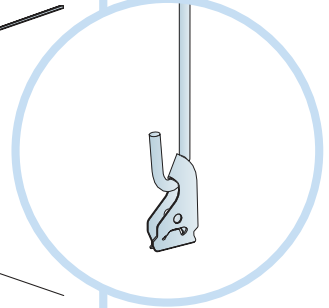
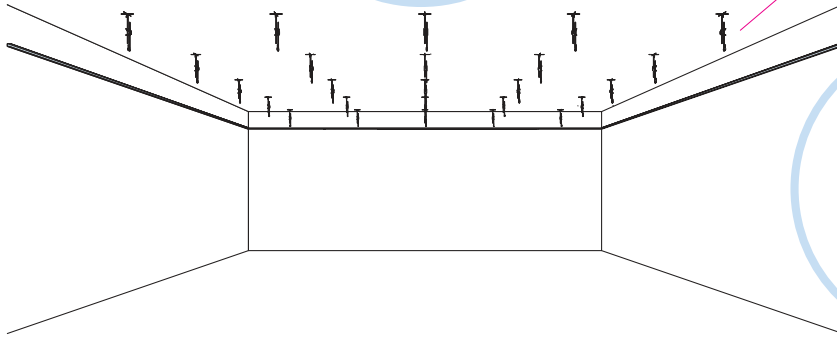
19₁



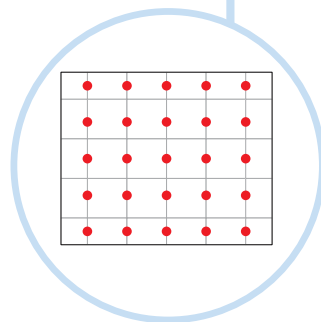
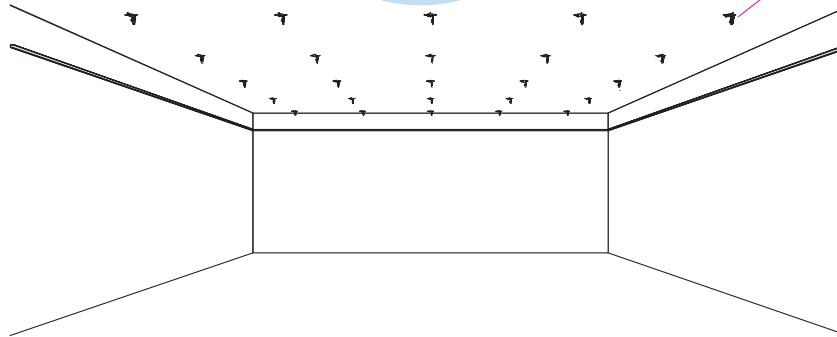


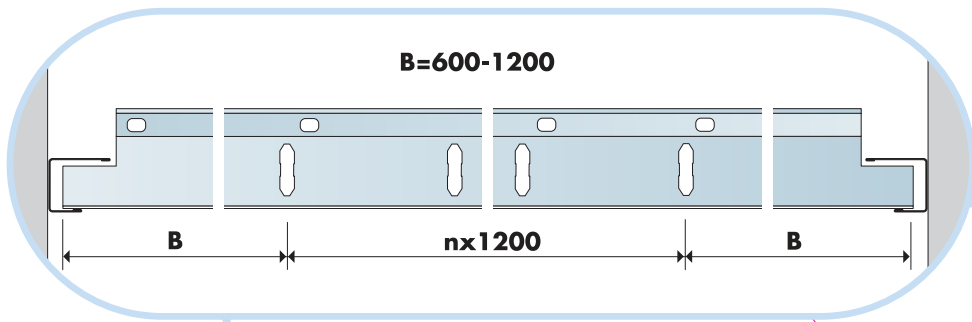


21

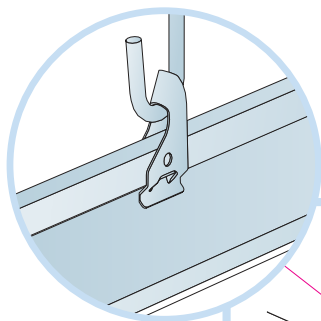
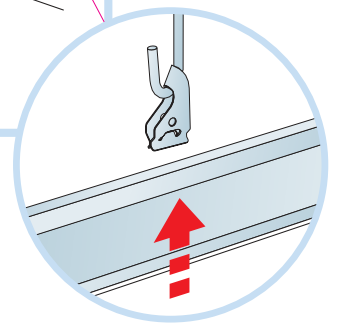
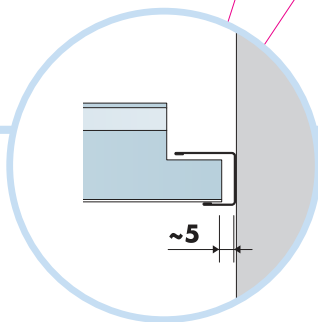
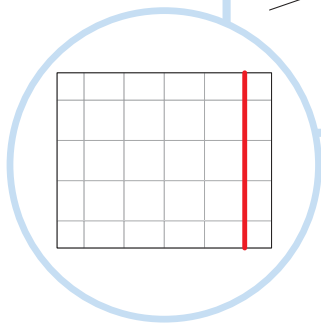
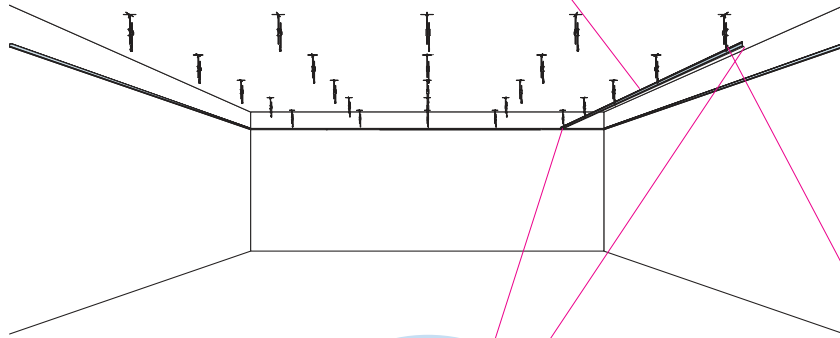


21₁

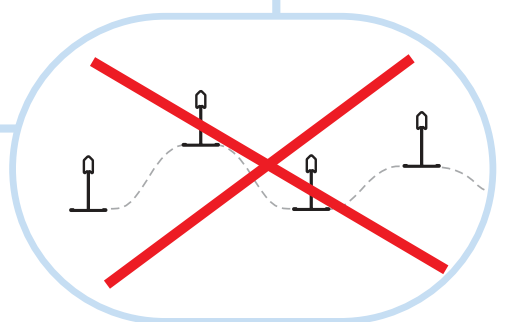
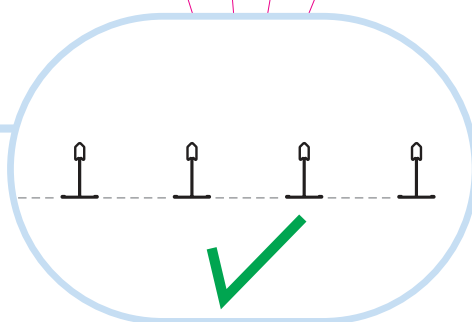
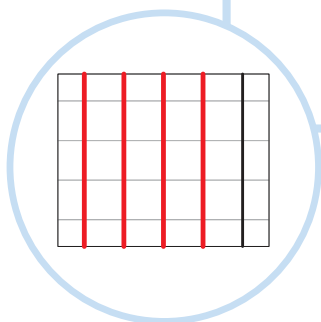
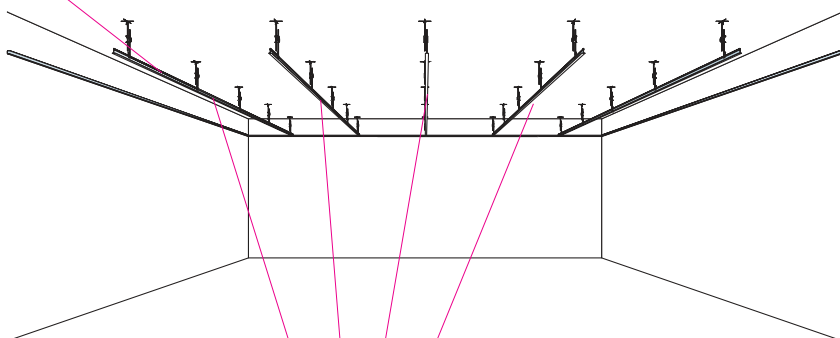


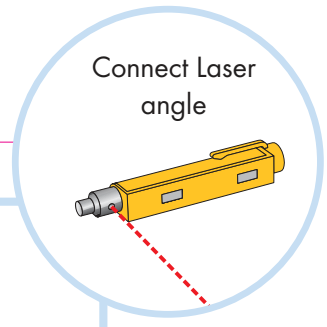
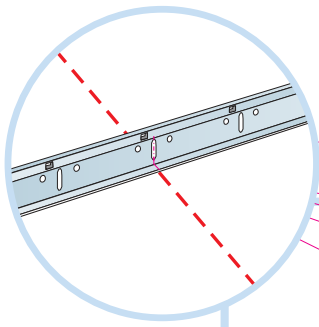


22

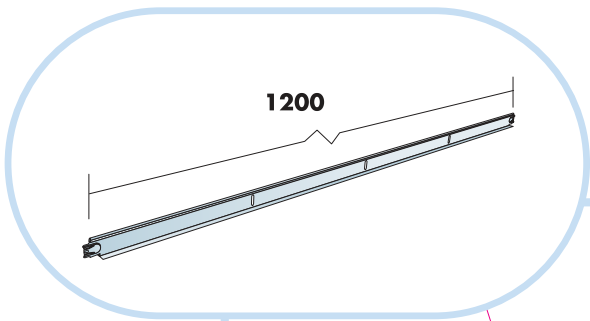
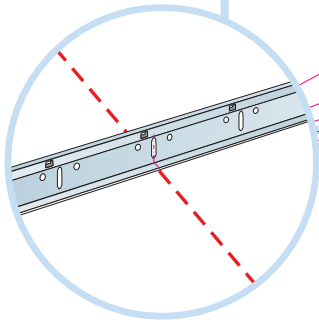
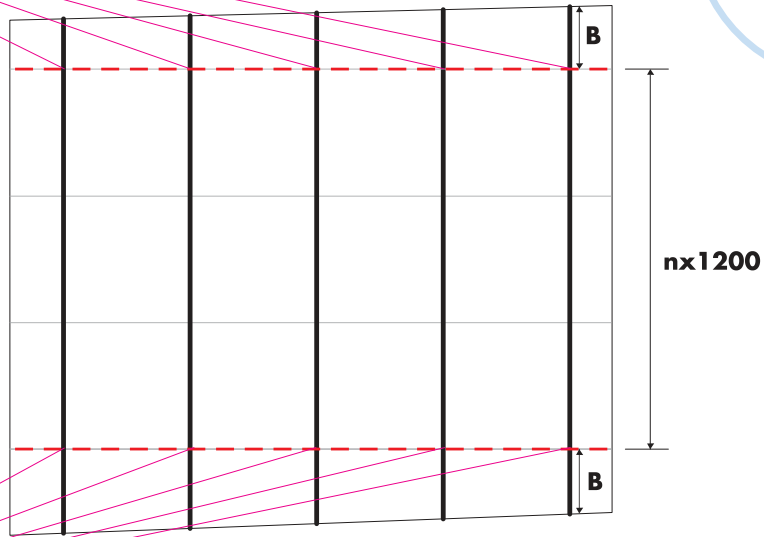


23

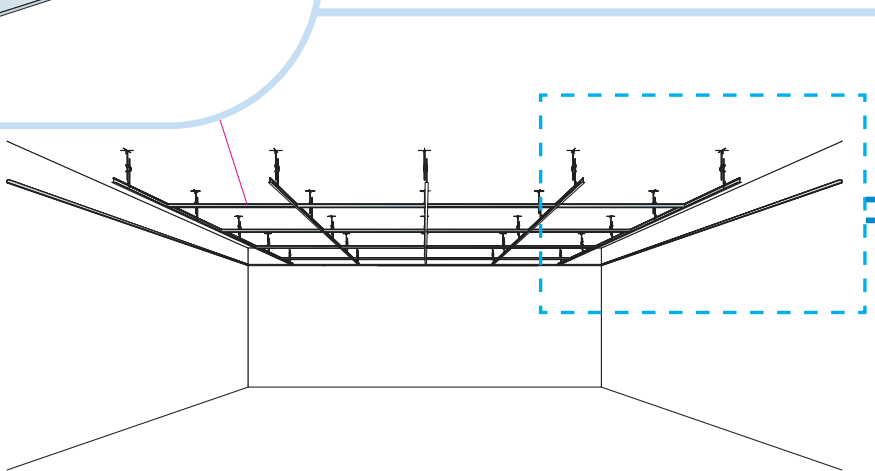




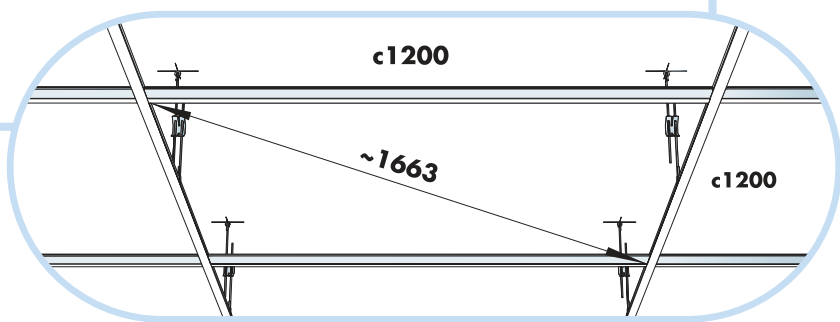
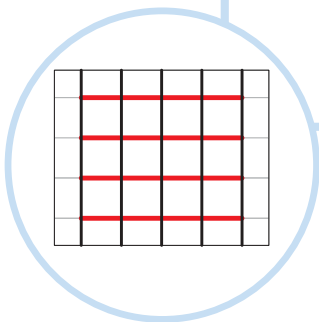
23₁



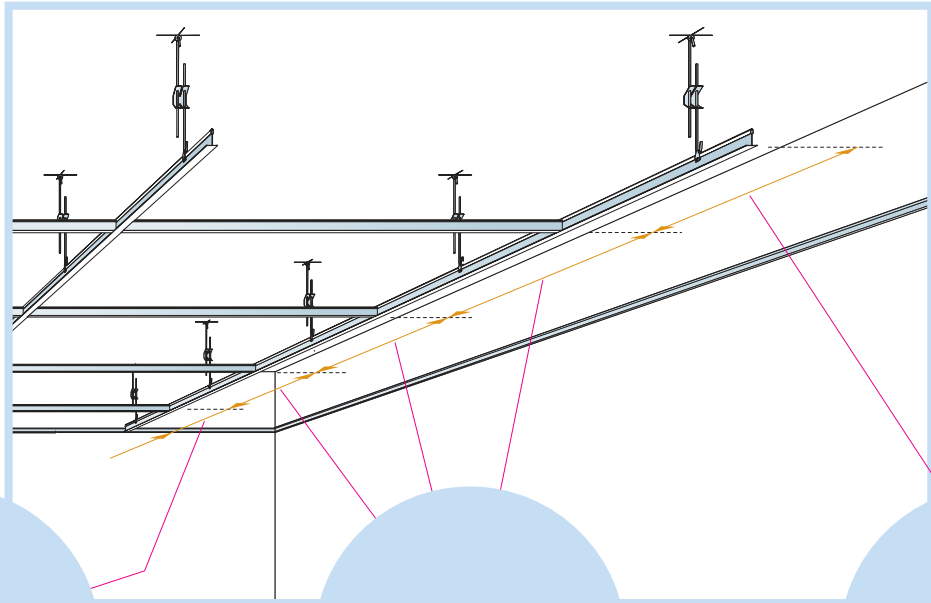
24



24₁



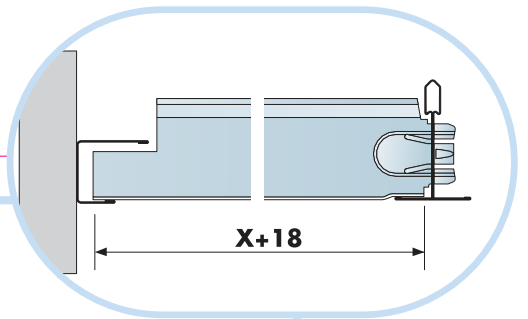
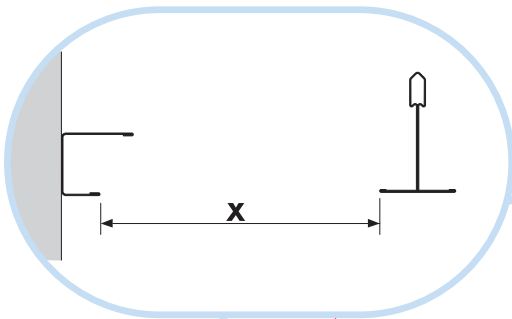
24₁



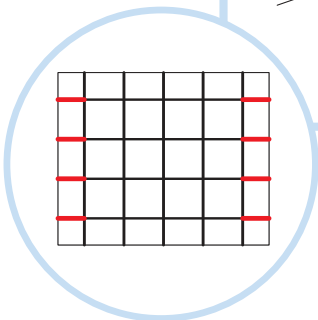
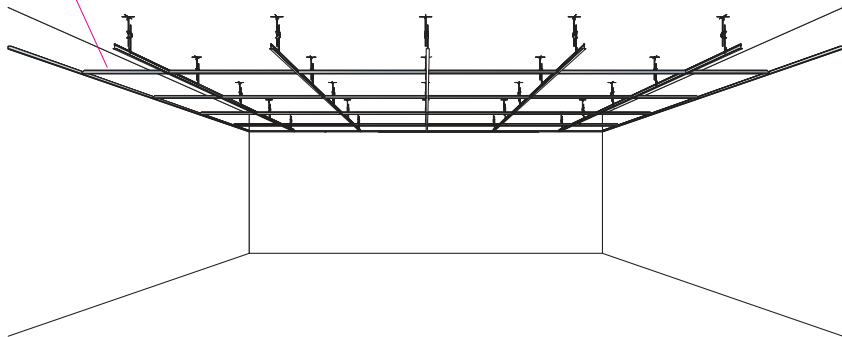
600-1200

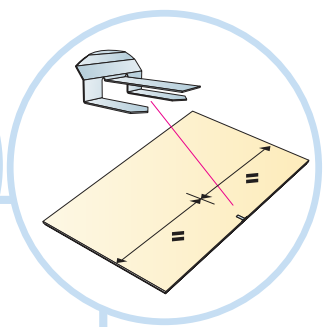
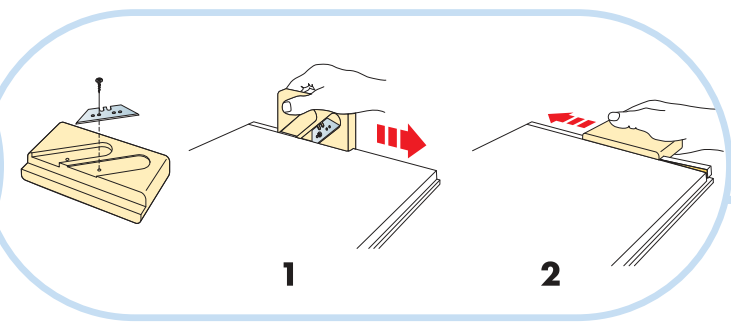
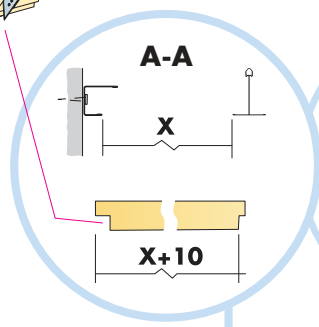
1200

600-1200

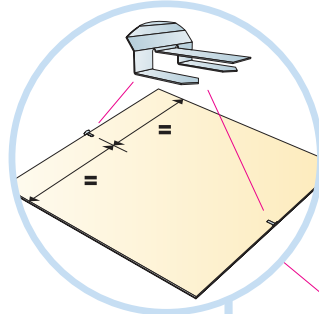
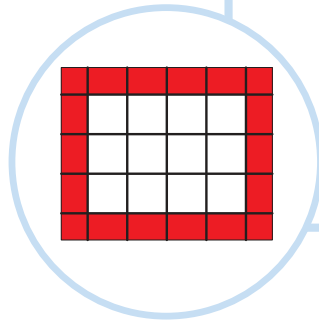
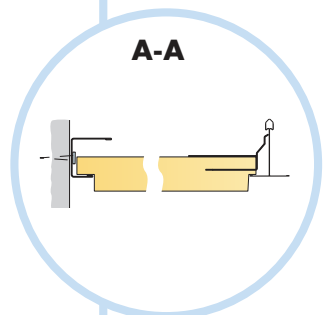
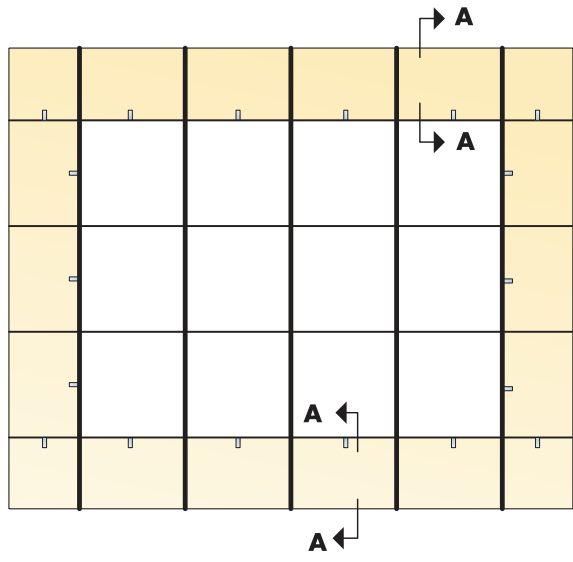


25

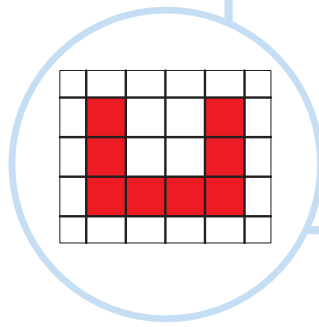
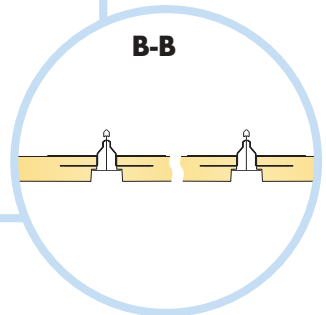
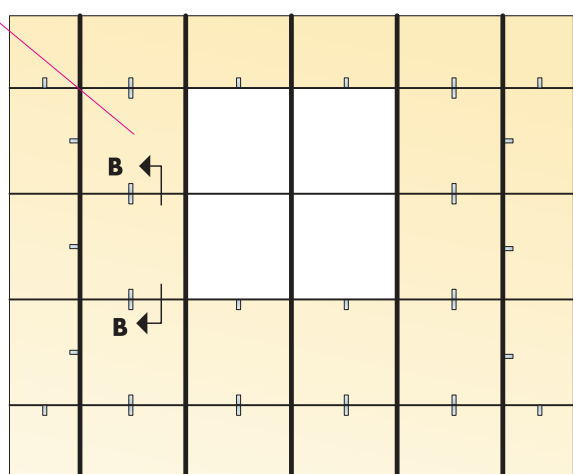


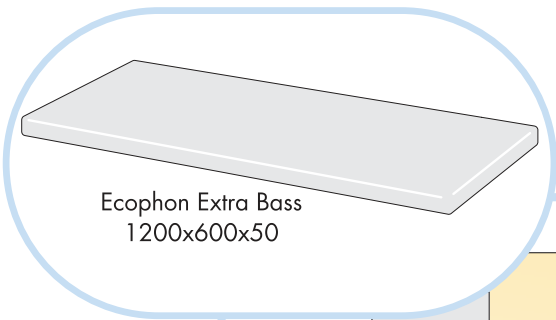


26



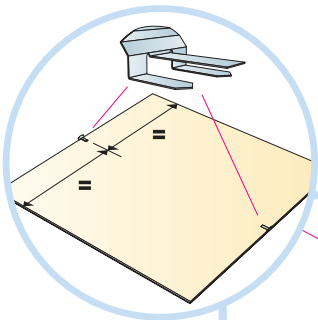
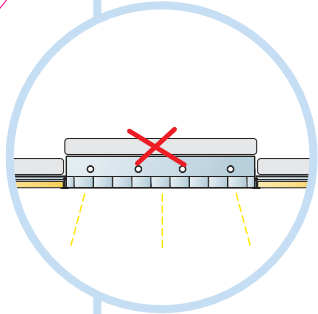
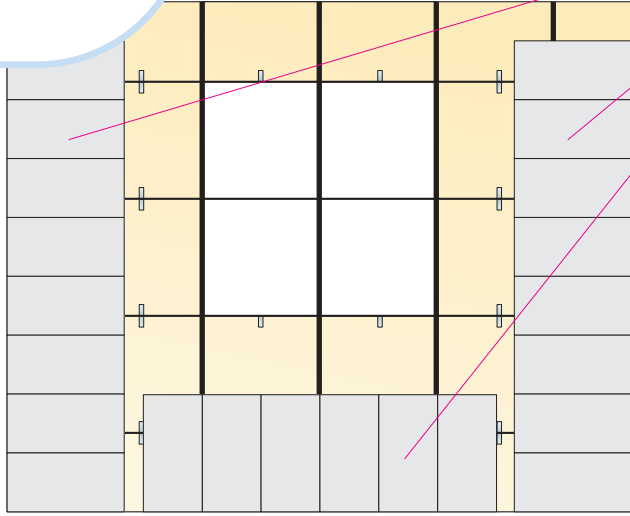
27



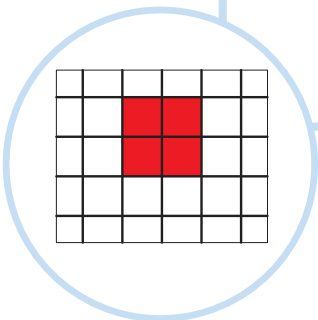
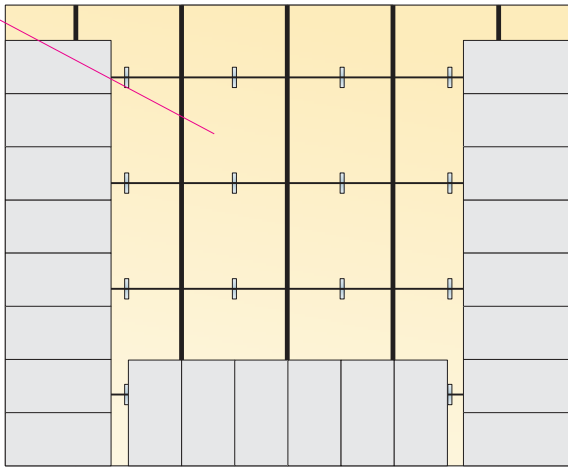


~50%

28



29



Demounting
 600x600 →0
 1200x600 →1
 1200x1200 →2

