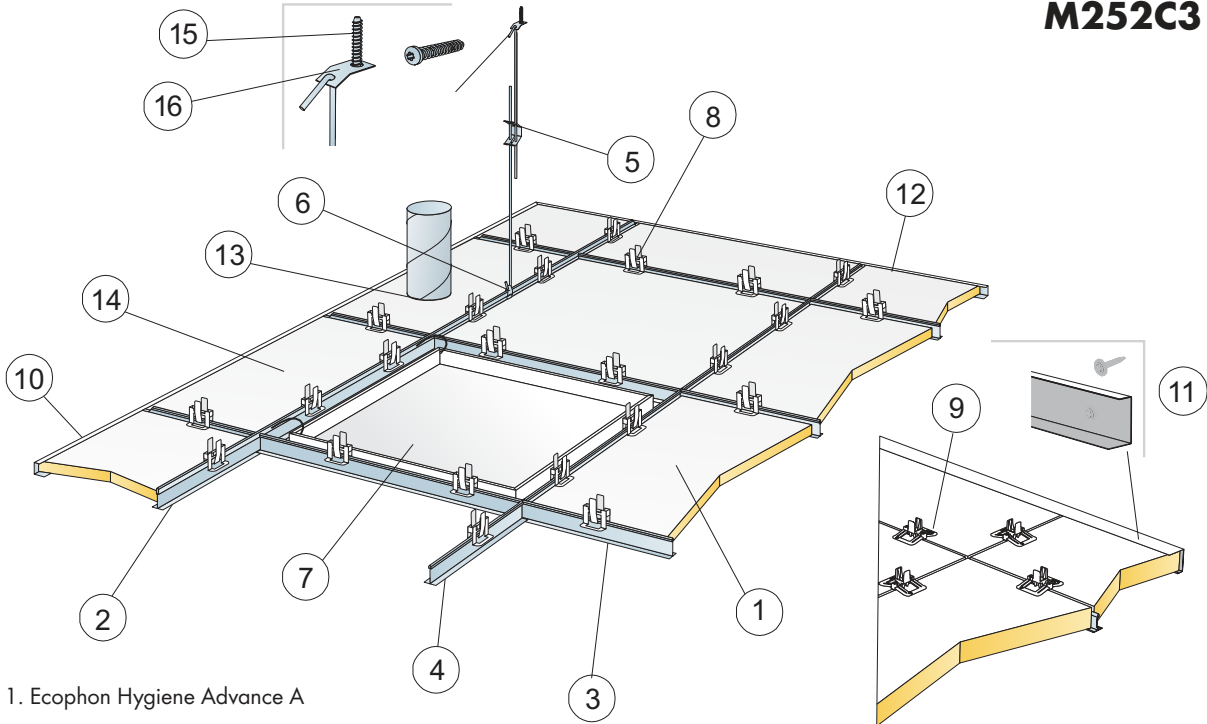
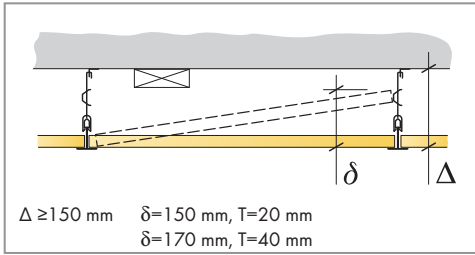


## Hygiene Advance A C3

600x600, 1200x600 (20 and 40 mm)

M252C3



1. Ecophon Hygiene Advance A

2. Connect T24 Main runner C3

3. Connect T24 Cross tee C3, L=1200

4. Connect T24 Cross tee C3, L=600

5. Connect Adjustable hanger C3

6. Connect Hanger clip

7. Connect Inspection Hatch C3

8. Connect Hygiene Clips 20

9. Connect Hygiene clip 40

10. Connect Channel trim C3 H=22

11. Connect Channel trim C3 H=44

12. Connect Hygiene Advance tape

13. Joint sealant  
(not supplied by Ecophon)

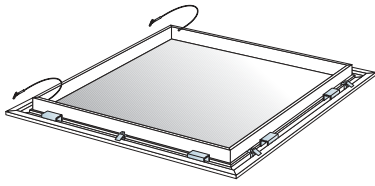
14. Hygiene Advance technical tile (thickness 20 mm)

15. Connect Anchor Screw C4

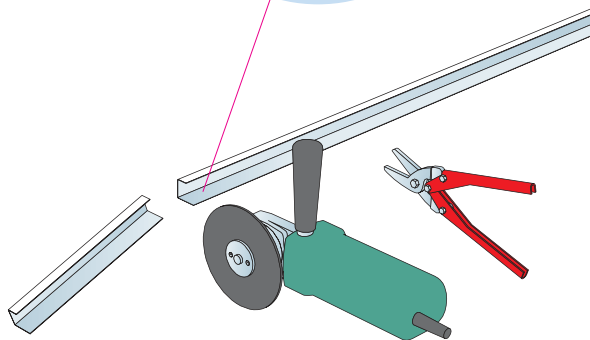
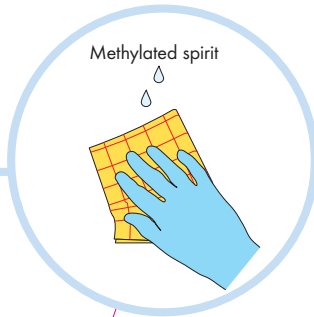
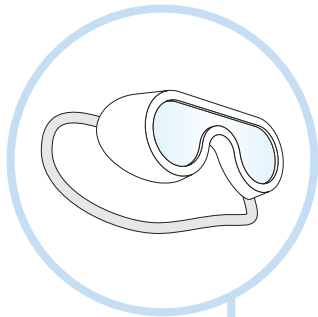
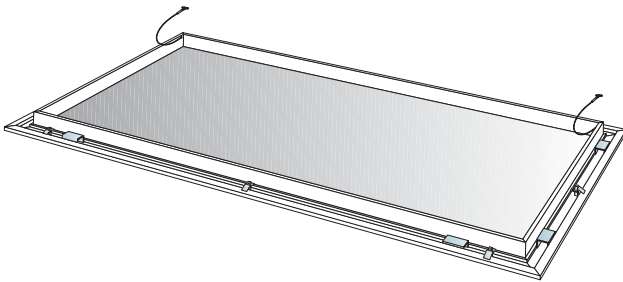
16. Connect Fixing plate C4



Connect Inspection hatch C3 (600x600)



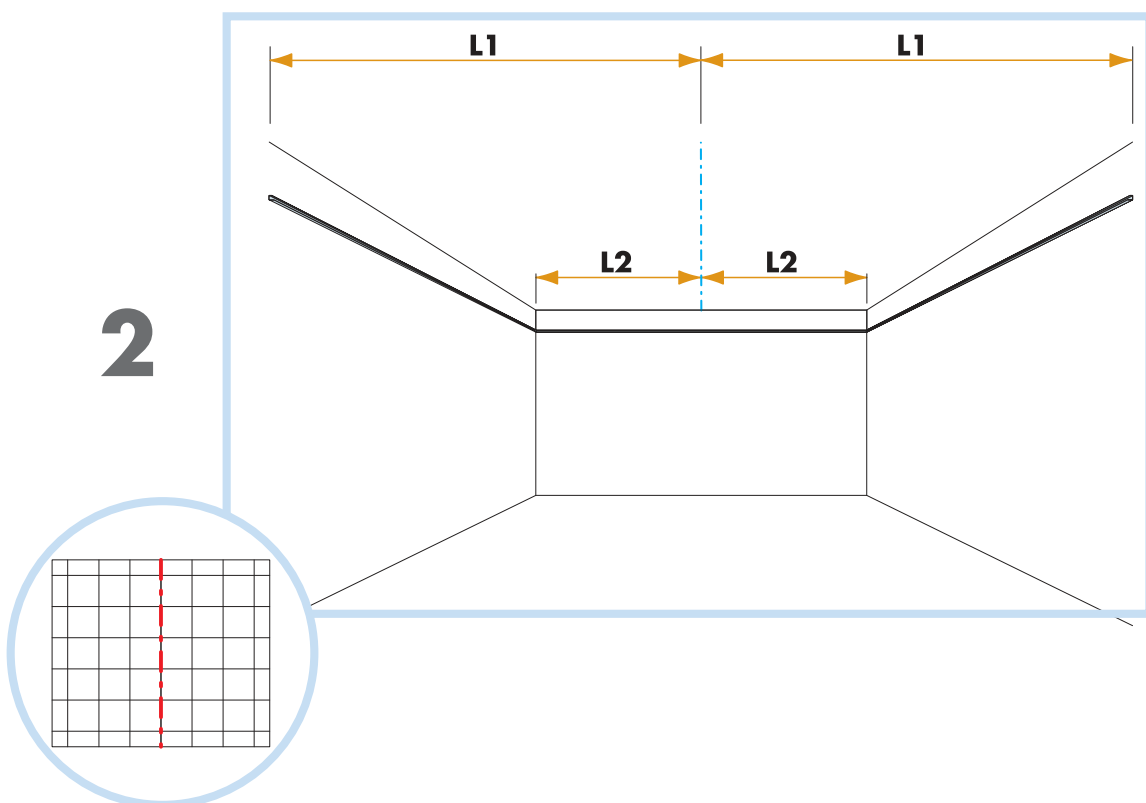
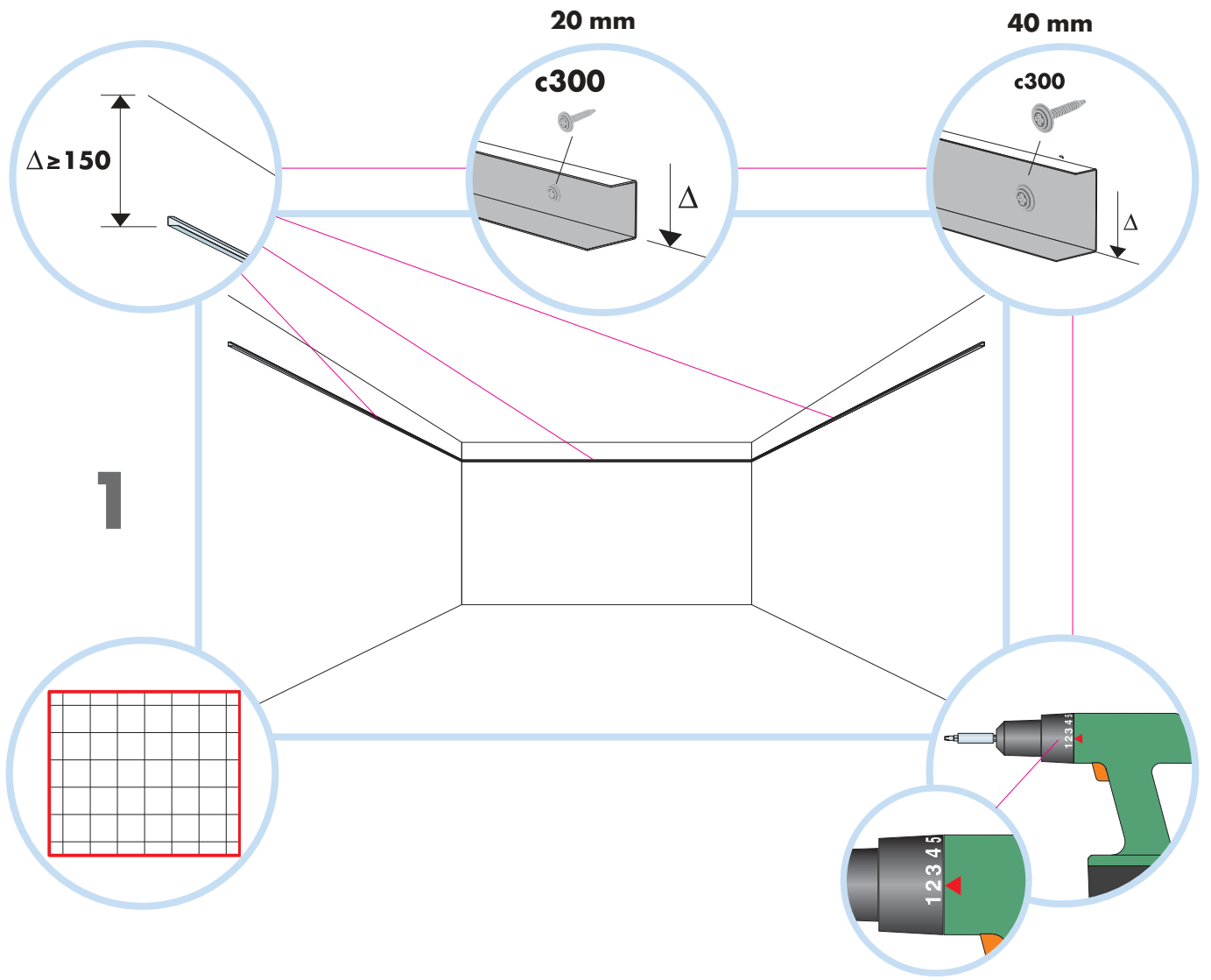
Connect Inspection hatch C3 (1200x600)



**Ecophon**

SAINT-GOBAIN

[www.ecophon.com](http://www.ecophon.com)



600

x

x

3

$x \geq 300$

4

$x < 300$

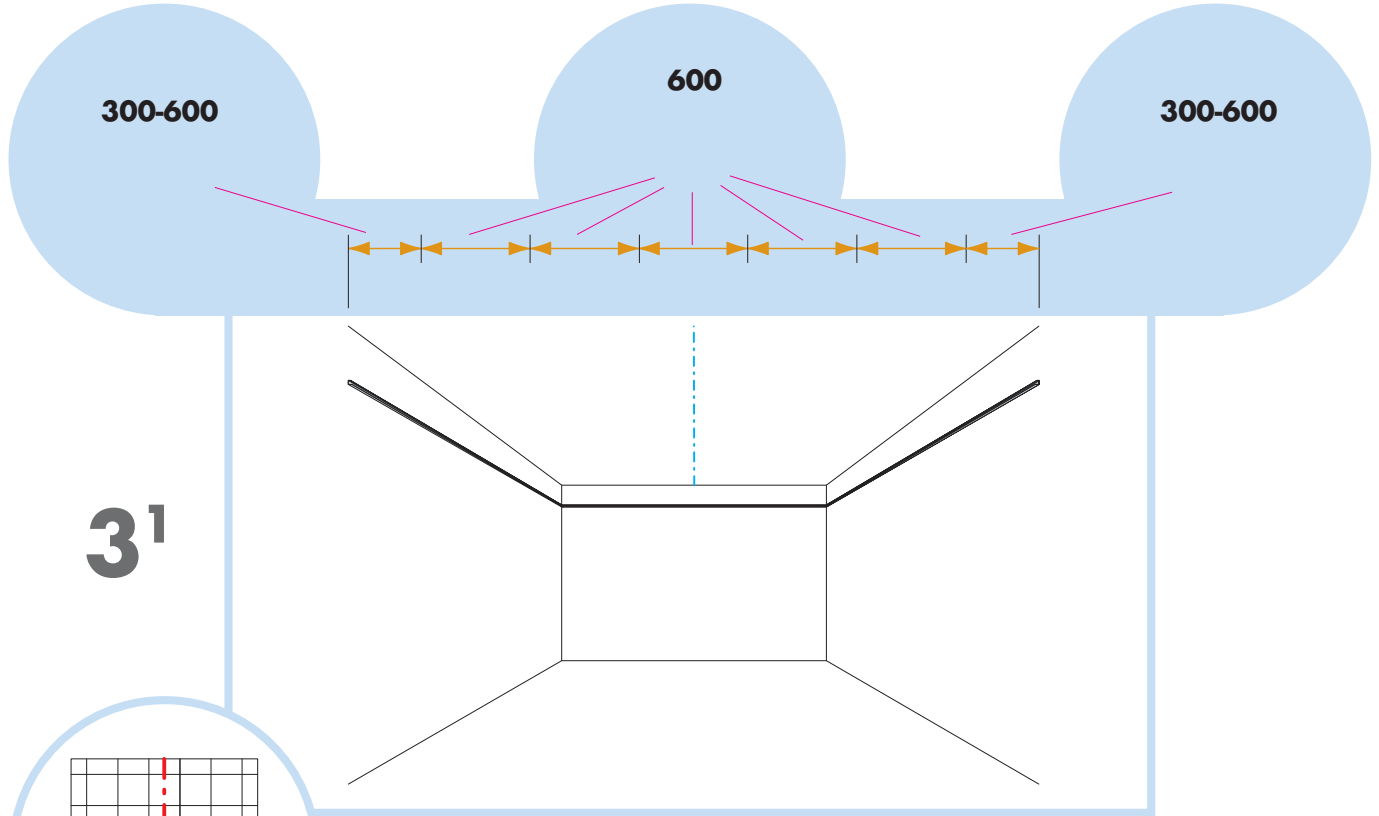
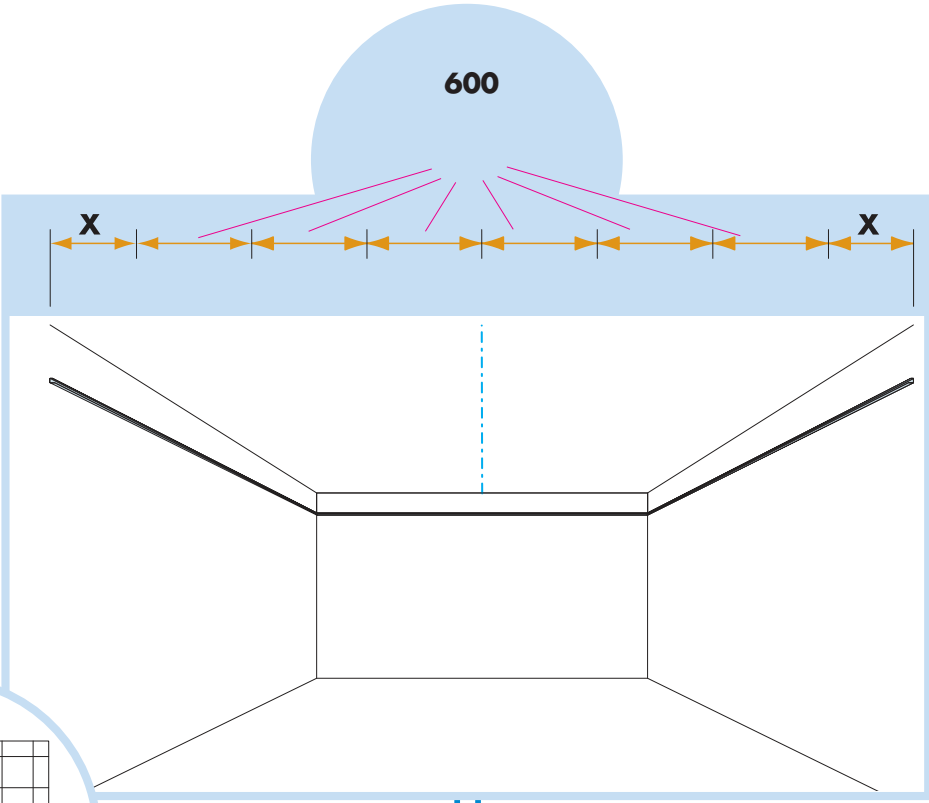
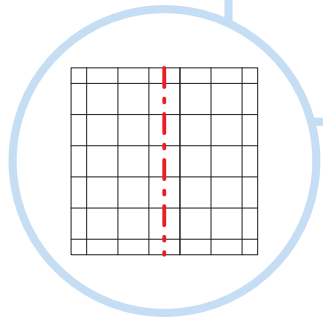
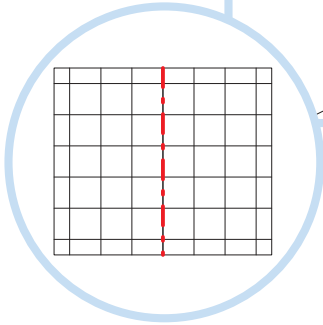
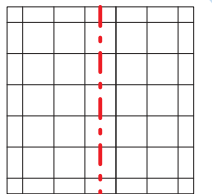
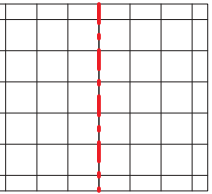
3<sup>1</sup>

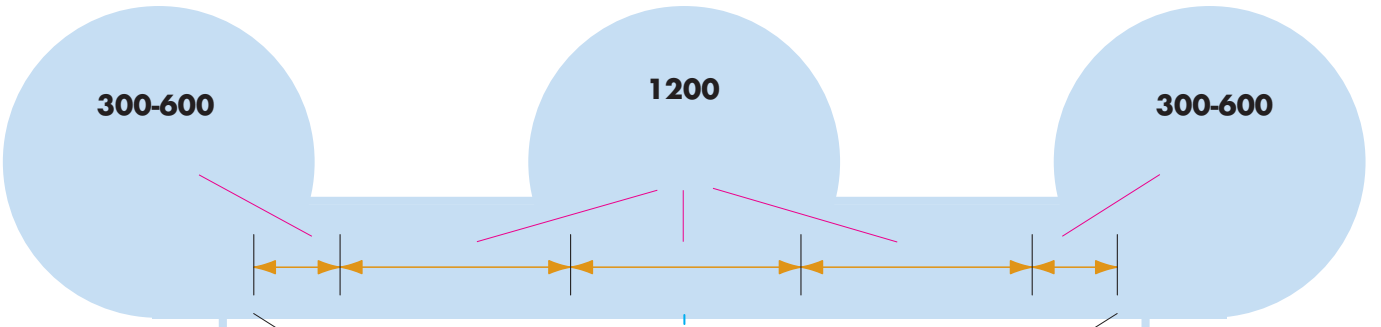
300-600

600

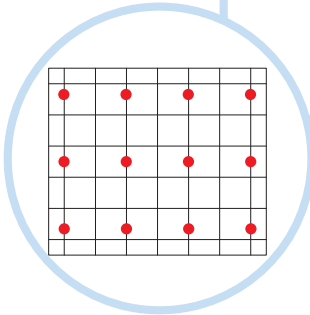
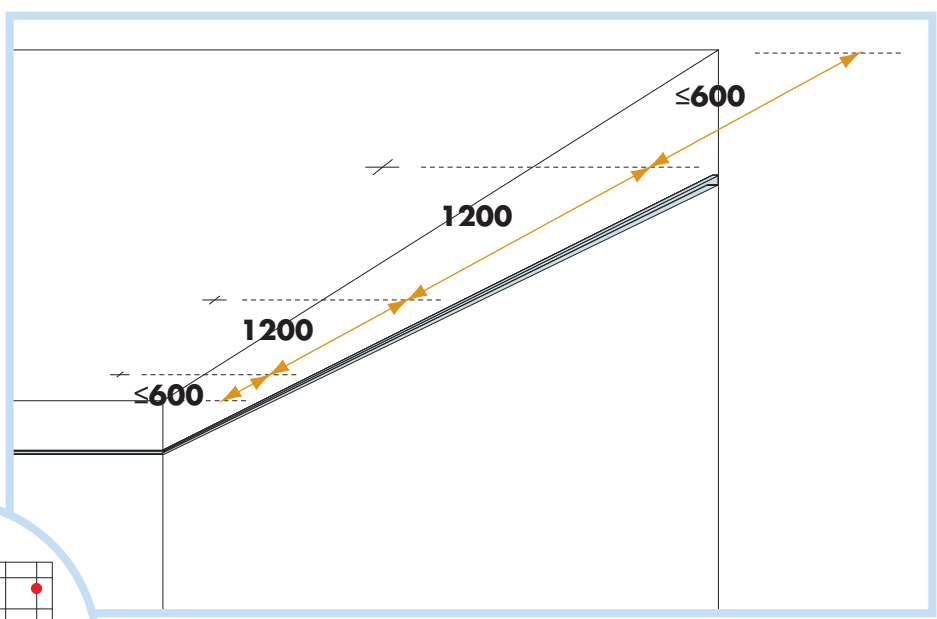
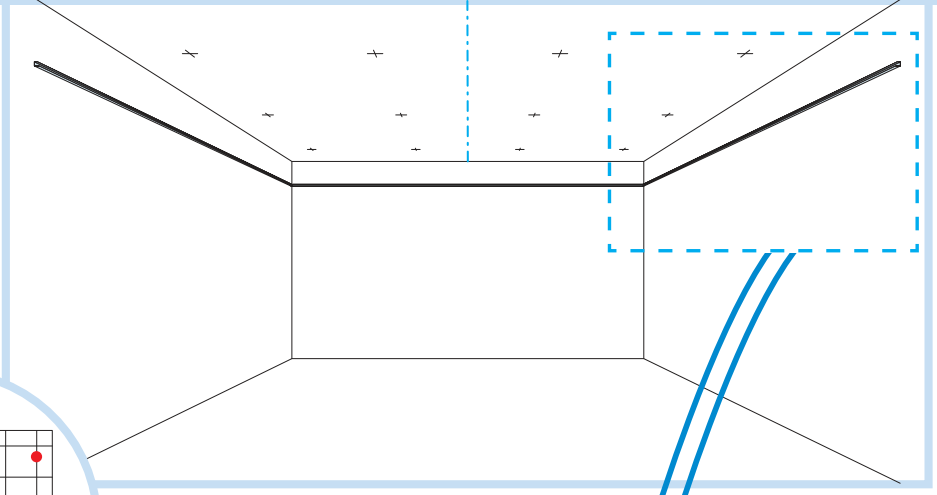
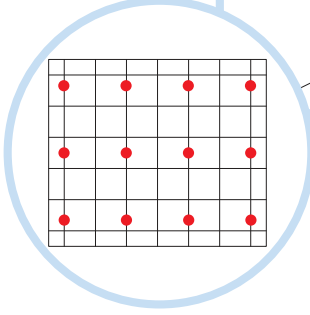
300-600

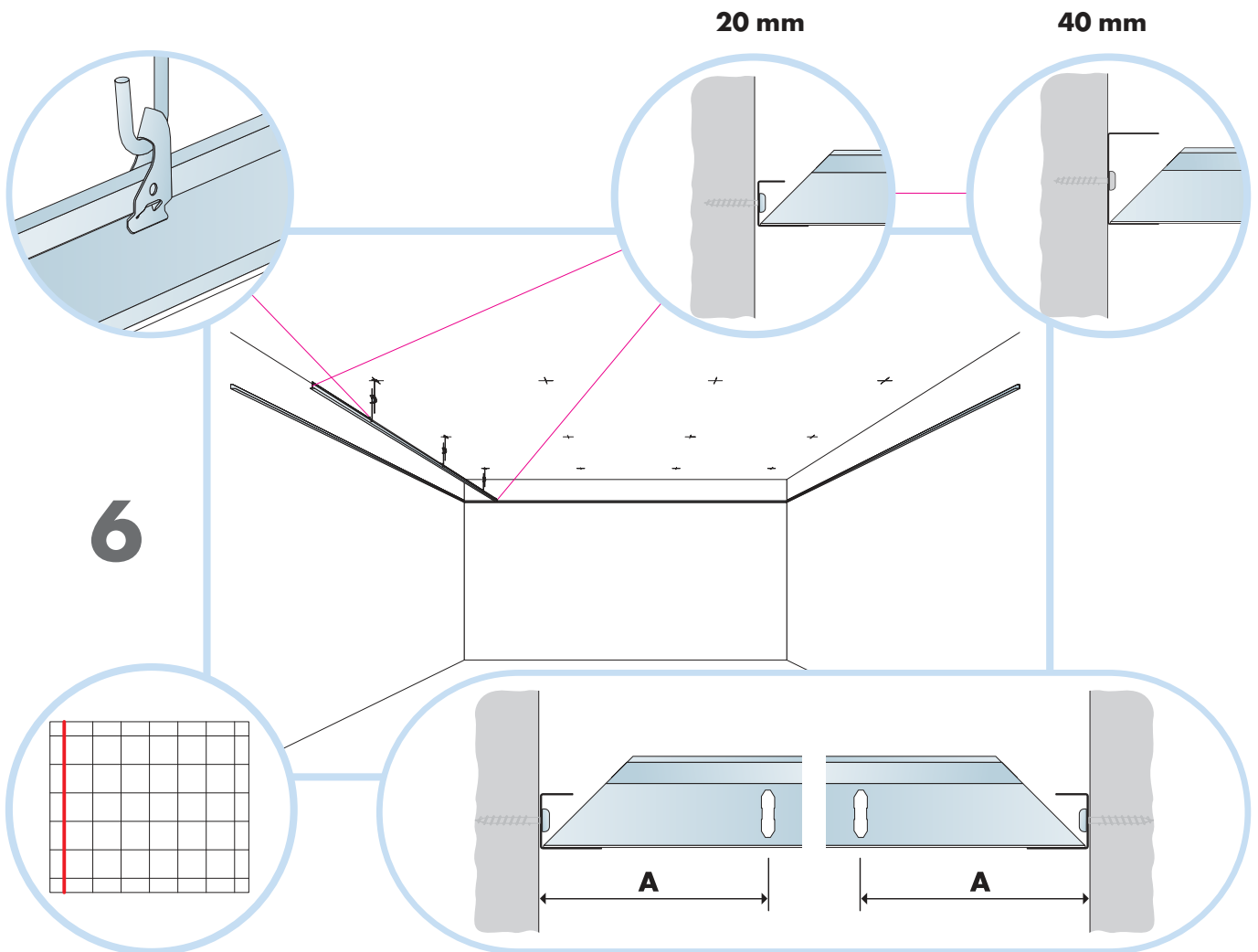
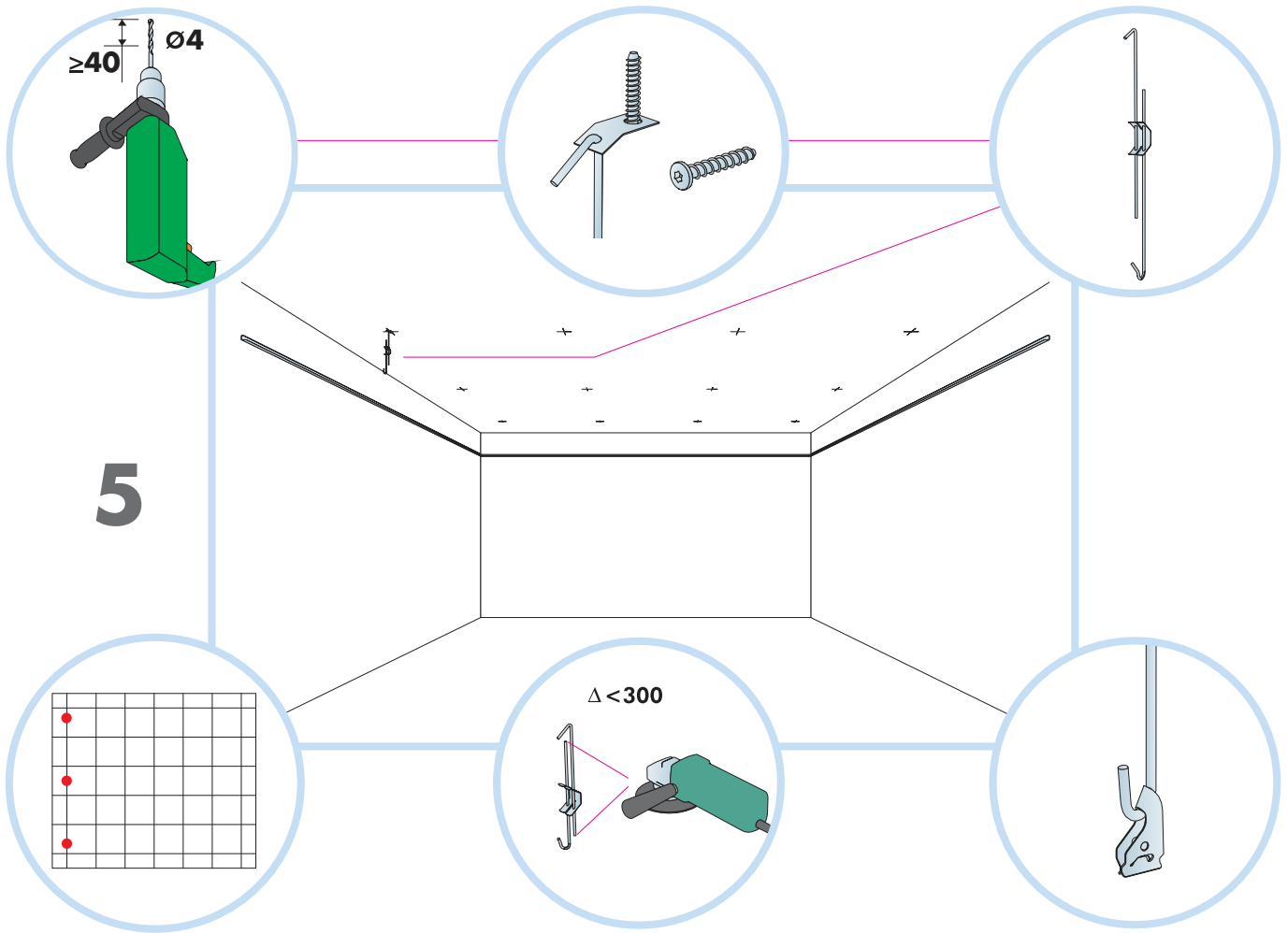
3<sup>1</sup>

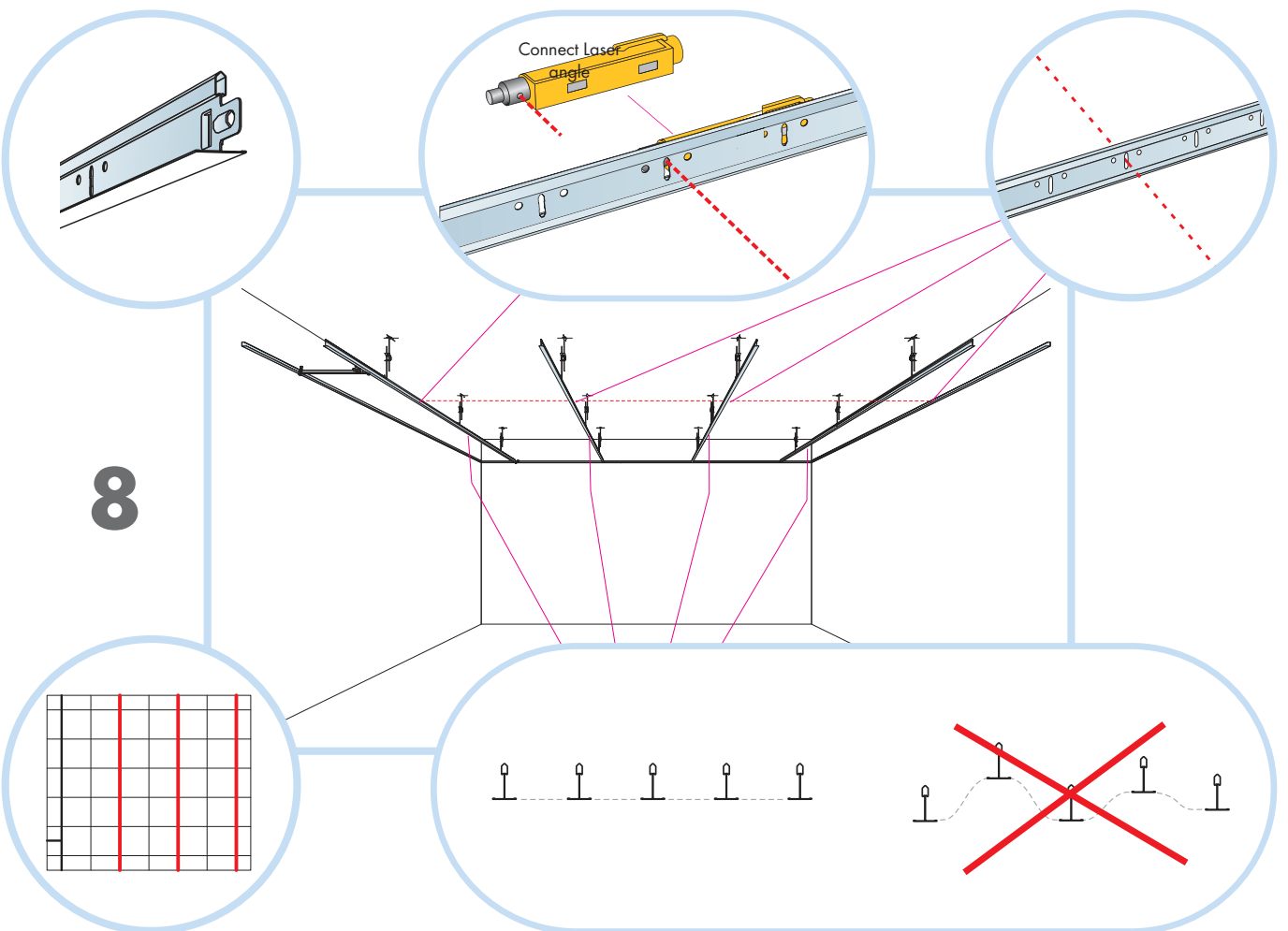
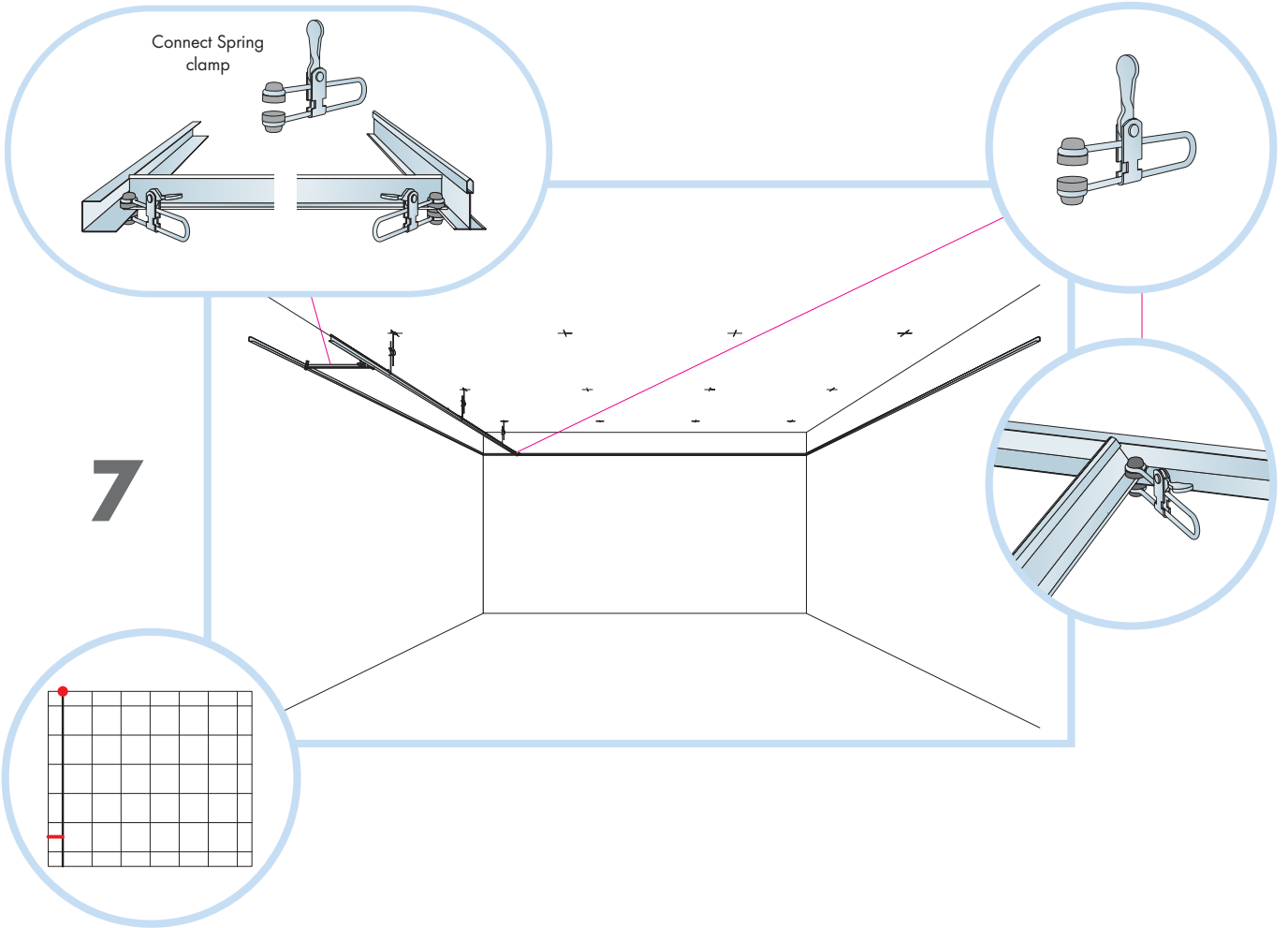


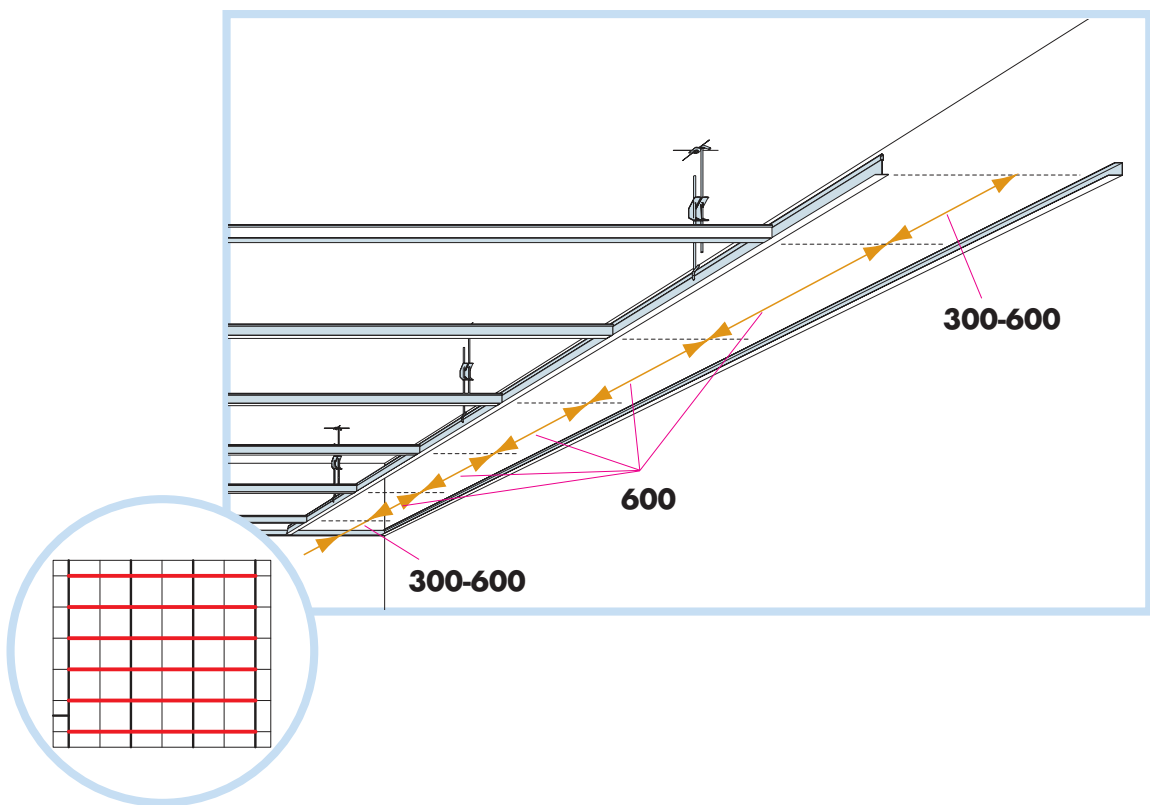
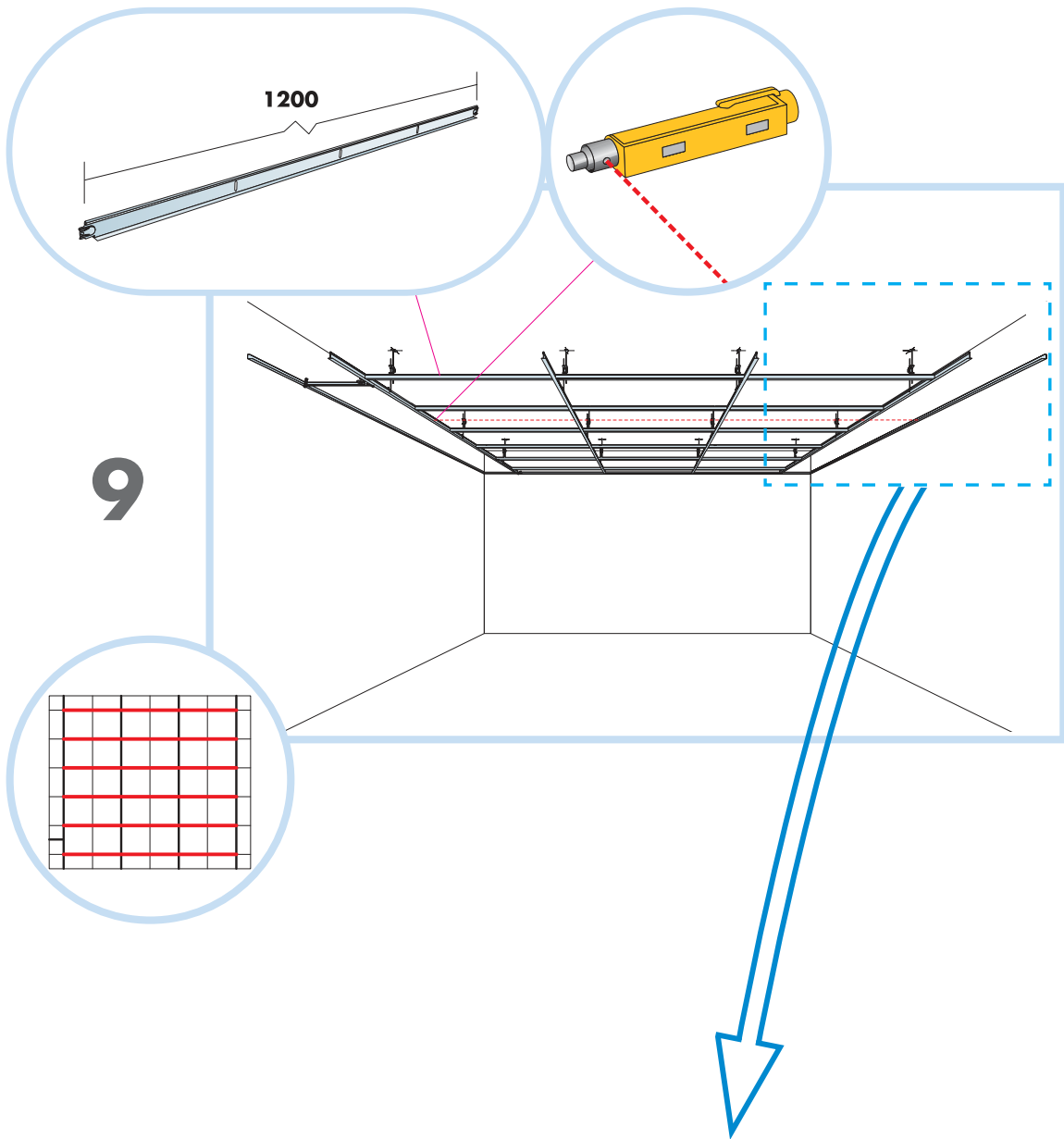


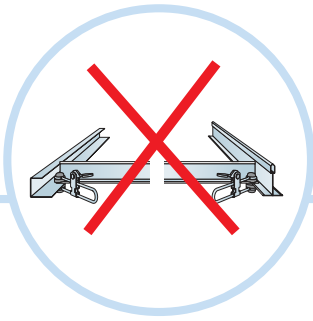
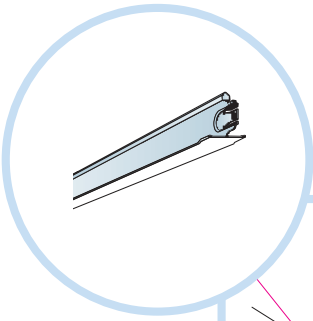
4



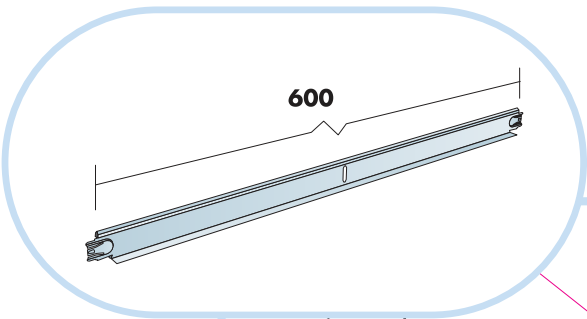
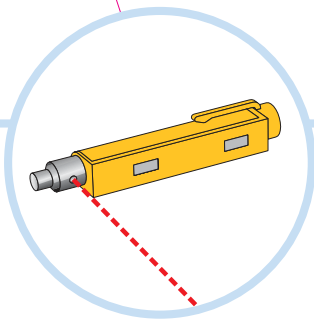
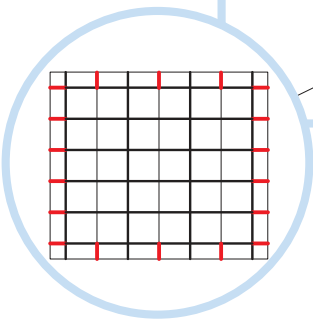
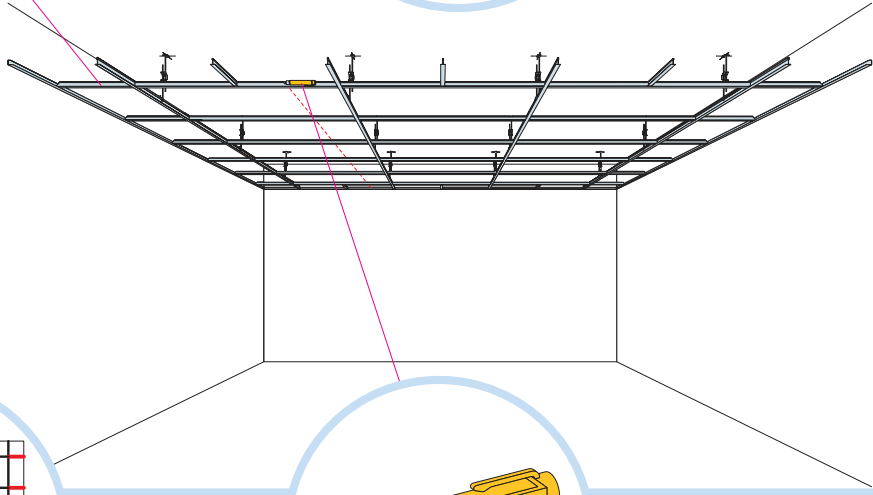




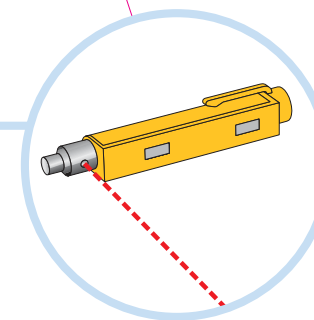
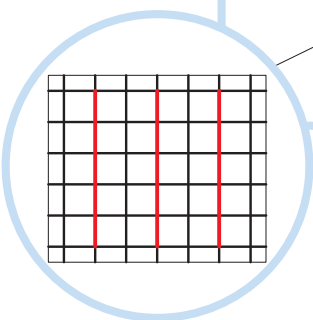
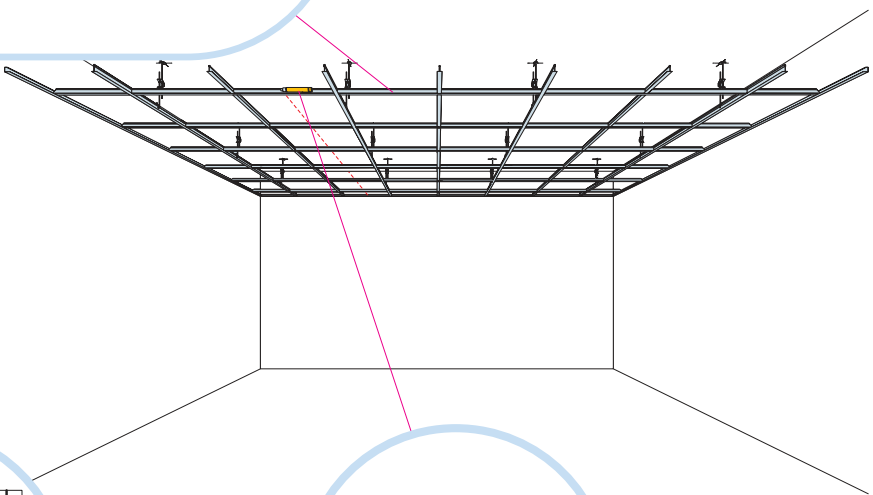




10

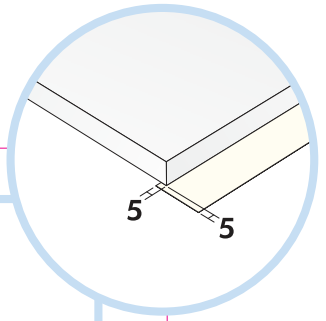
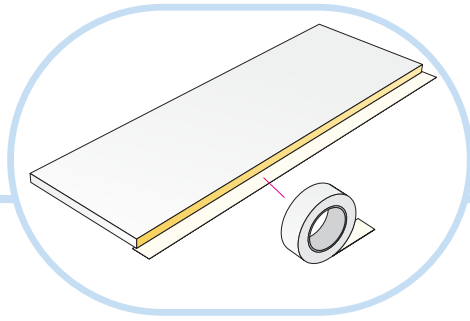
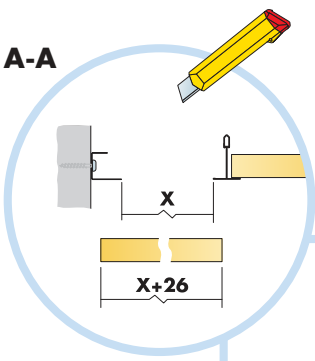


11



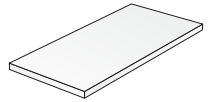
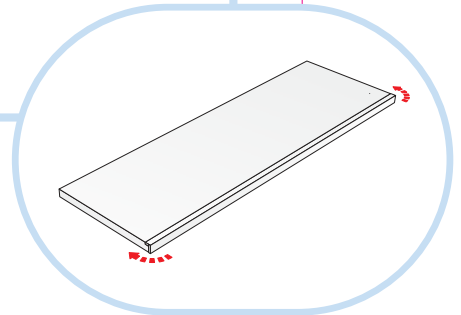
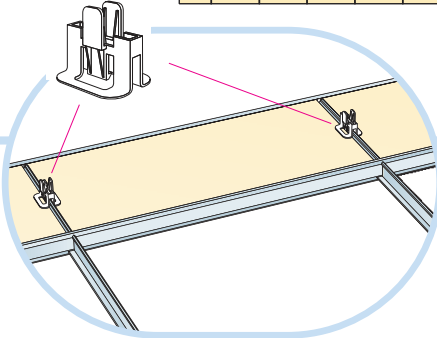
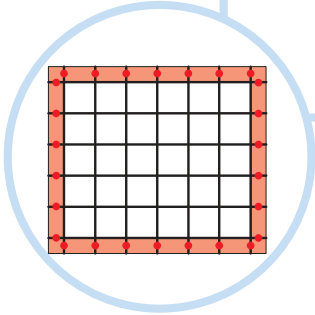
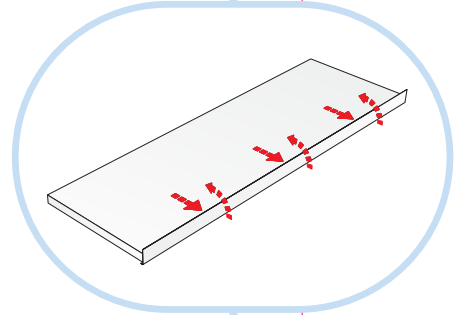
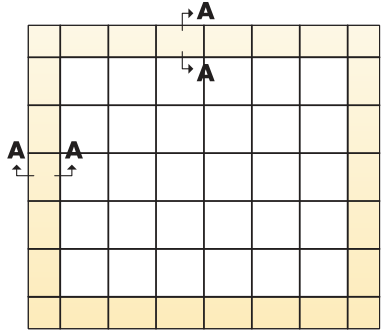
<b>600x600 20 mm</b>	<b>12</b>	<b>→</b>	<b>20</b>
<b>600x600 40 mm</b>	<b>15</b>	<b>→</b>	<b>40</b>
<b>1200x600 20 mm</b>	<b>18</b>	<b>→</b>	<b>20</b>
<b>1200x600 40 mm</b>	<b>21</b>	<b>→</b>	<b>40</b>

A-A



# 12

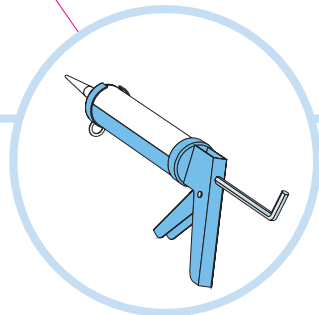
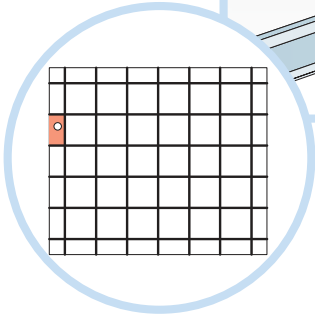
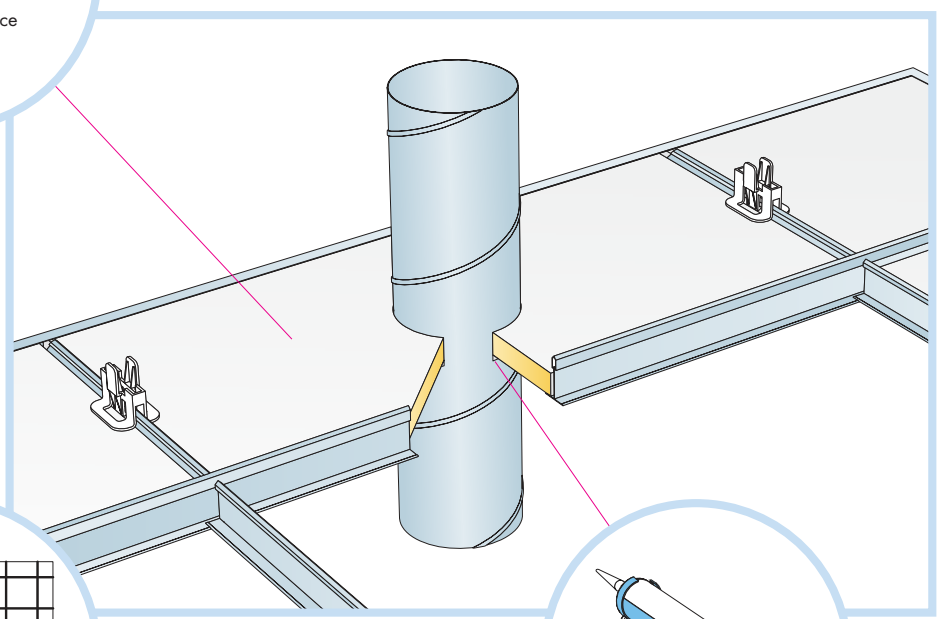
20

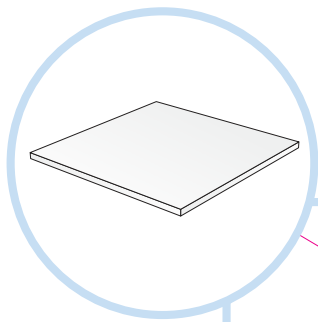


Hygiene Advance technical tile

# 13

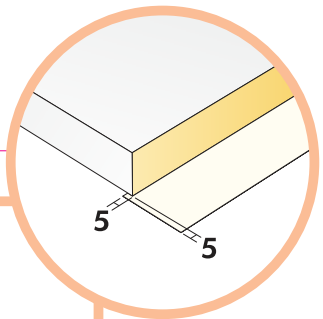
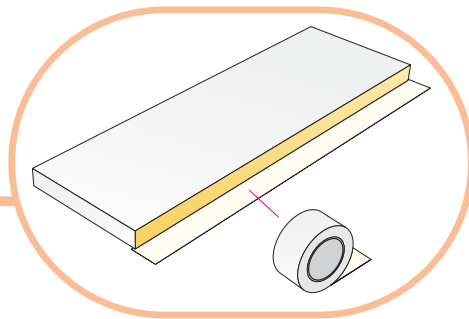
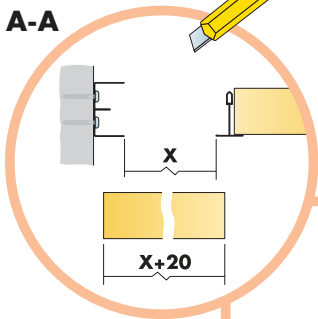
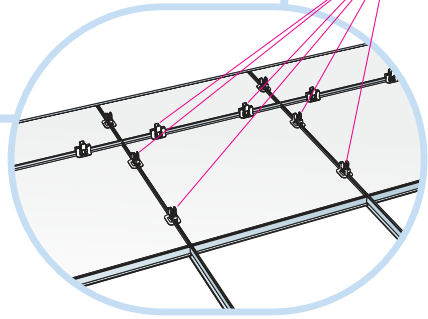
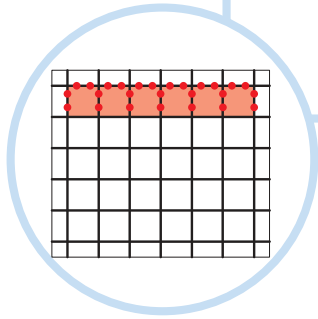
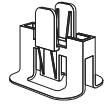
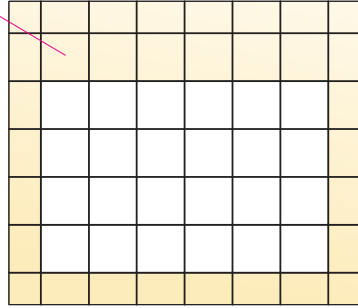
20





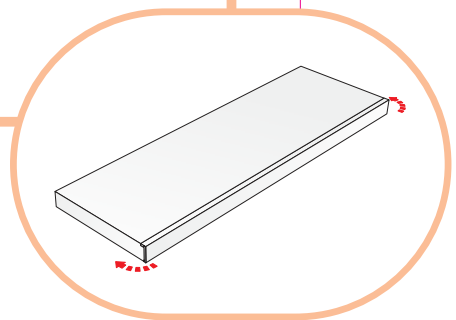
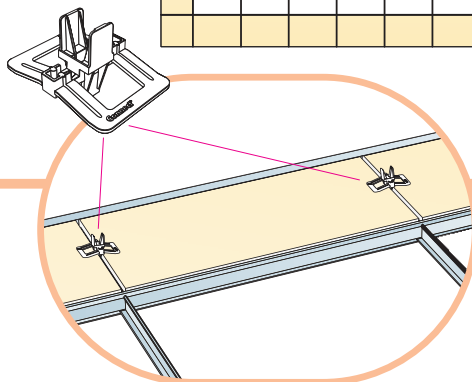
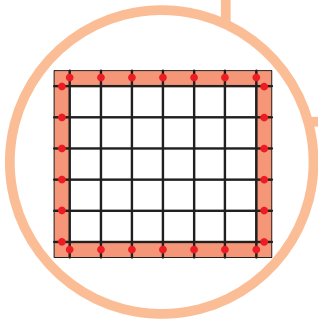
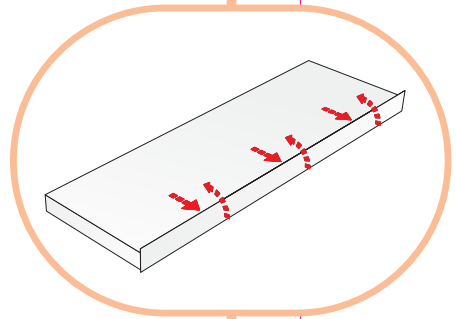
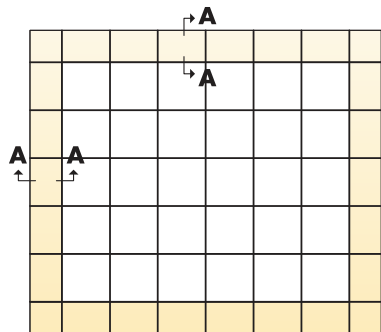
14

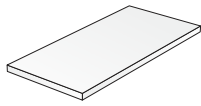
20



15

40

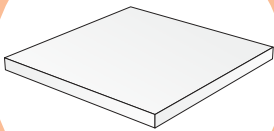
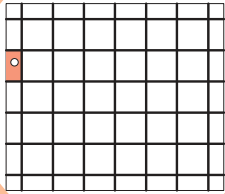
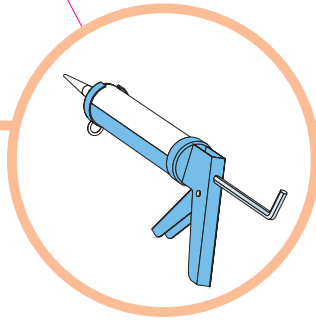
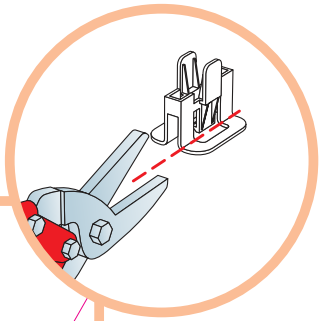
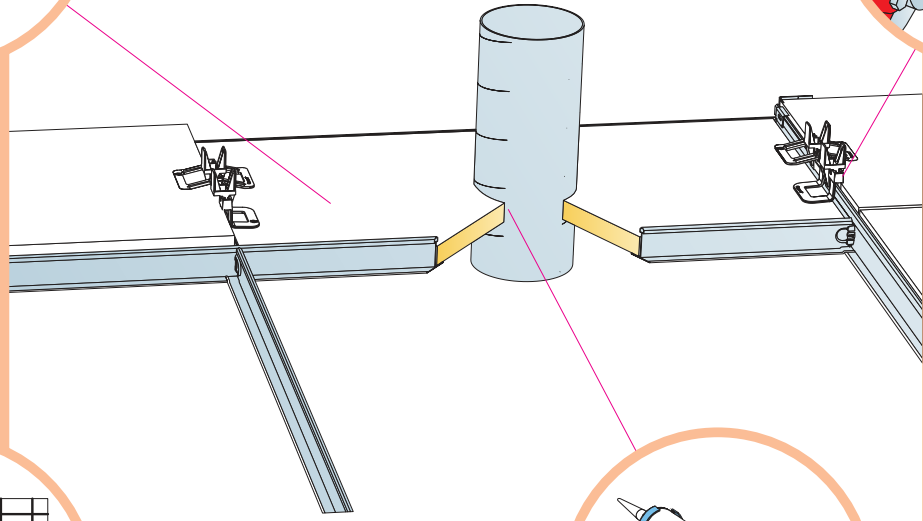




Hygiene Advance  
technical tile

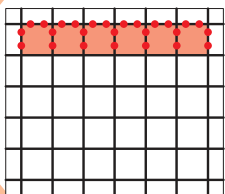
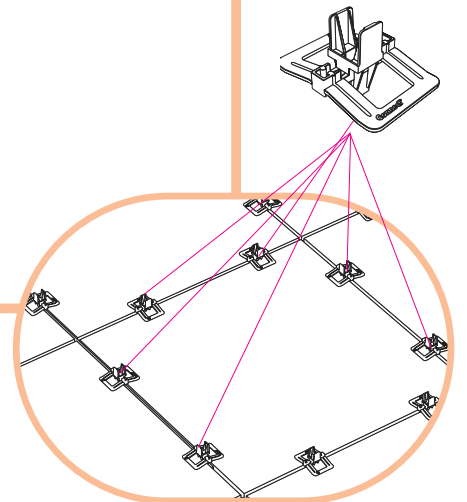
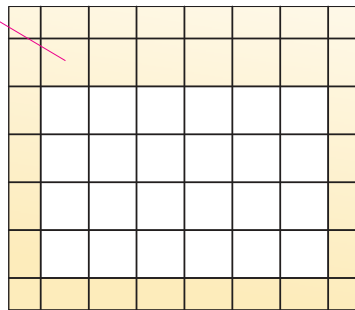
16

40



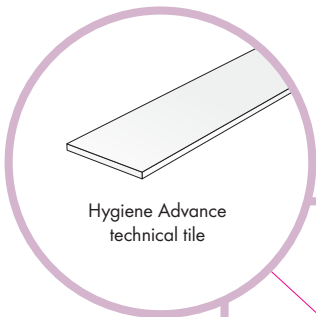
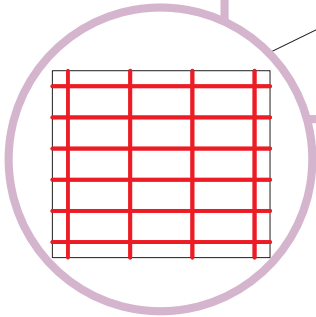
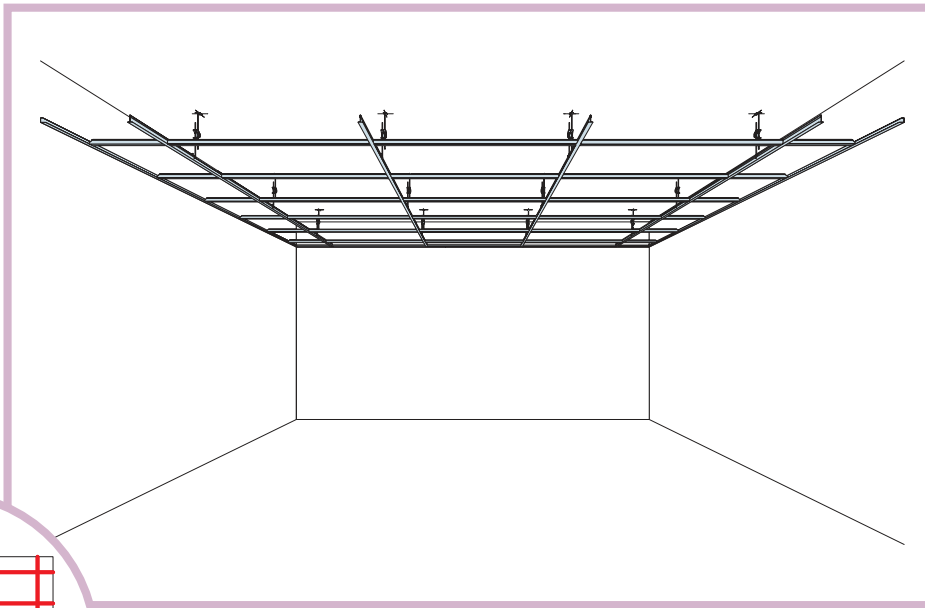
17

40



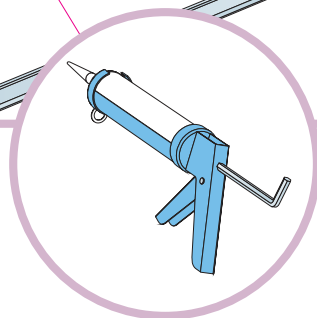
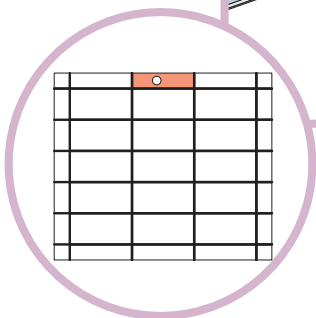
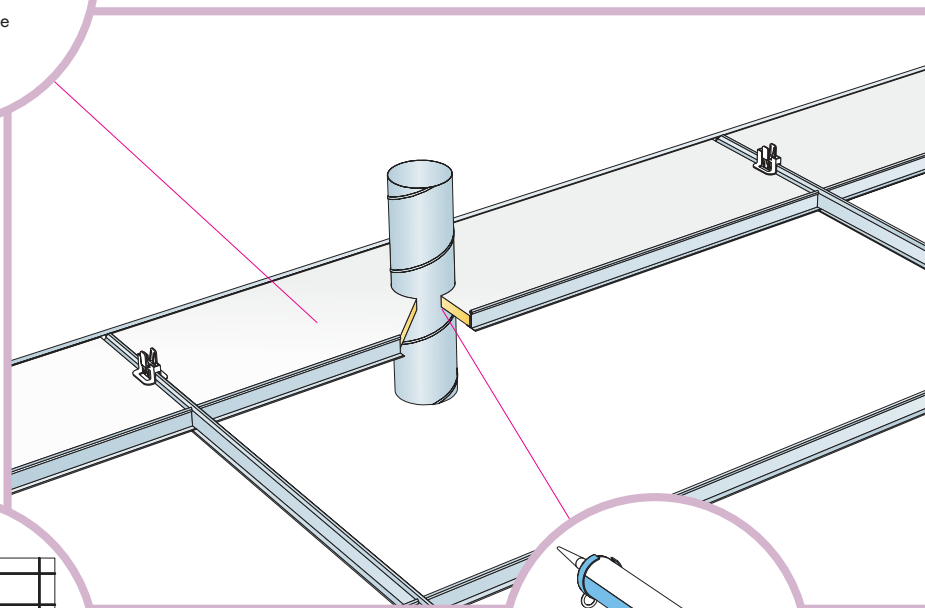
# 18

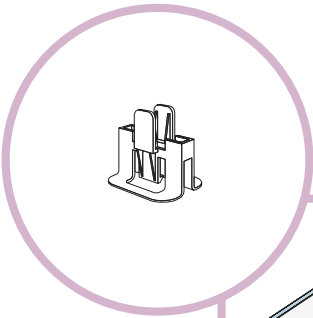
20



# 19

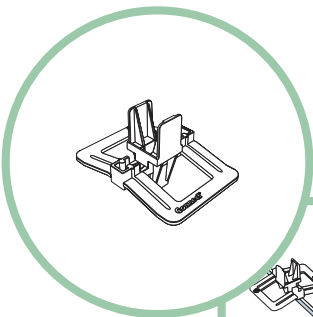
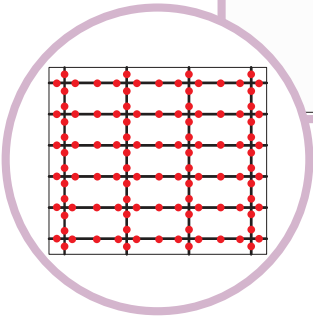
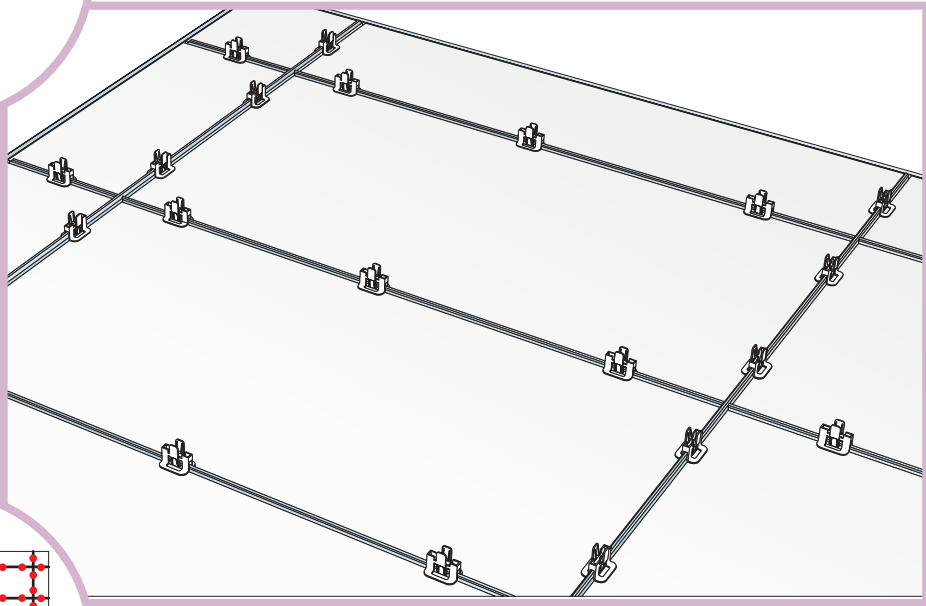
20





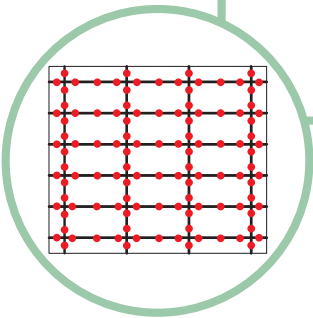
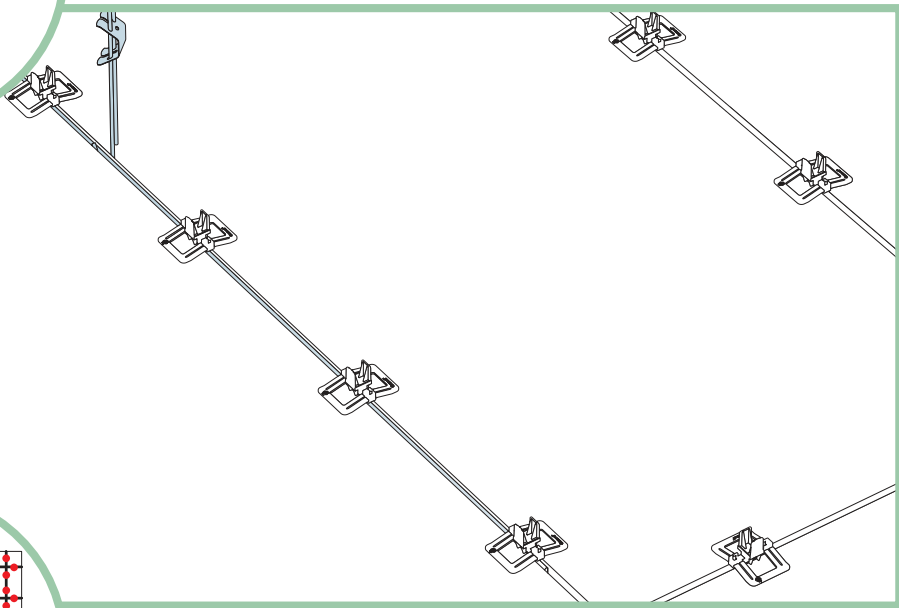
20

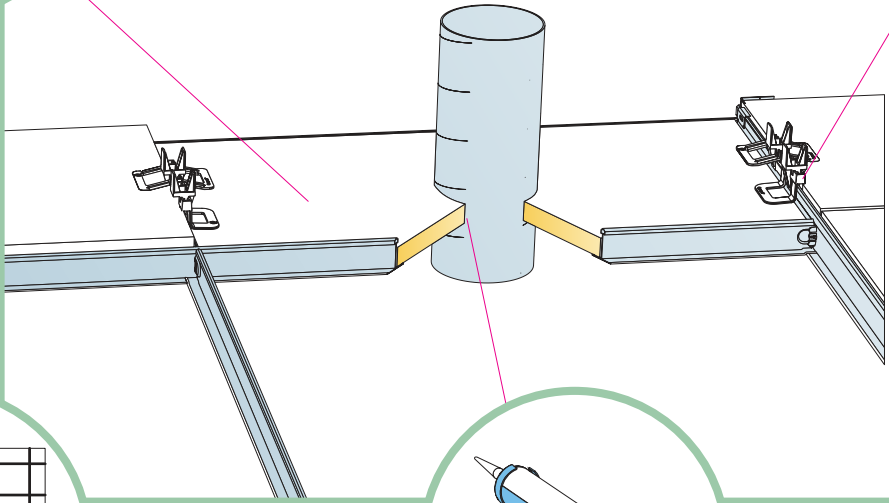
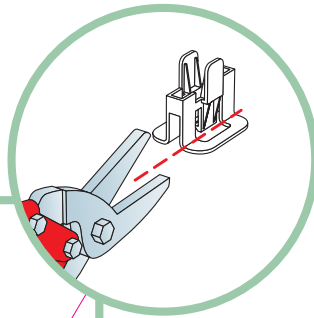
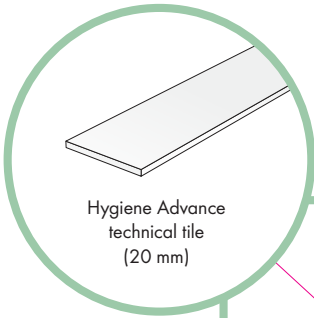
20



21

40





**22**

**40**

