

ECOPHON HYGIENE PERFORMANCE™ BAFFLE

Ecophon Hygiene Performance™ Baffle is an easy to clean, sound absorbing system with vertical baffles suitable for humid areas. The baffles withstand advanced cleaning, such as steam and high/low pressure washing on a regular basis.

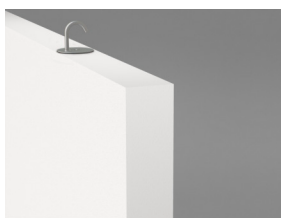


Ecophon Hygiene Performance™ Baffle

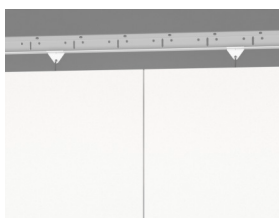
SYSTEM RANGE



Size, mm	1200x600
T24	•
Thickness (THK)	50
Inst. Diagr.	M492C3, M493C3, M494C4



Solo Baffle/hook



Hygiene Performance Baffle C4

TYPE OF APPLICATION

- Healthcare
- Additional areas
- Clean environments

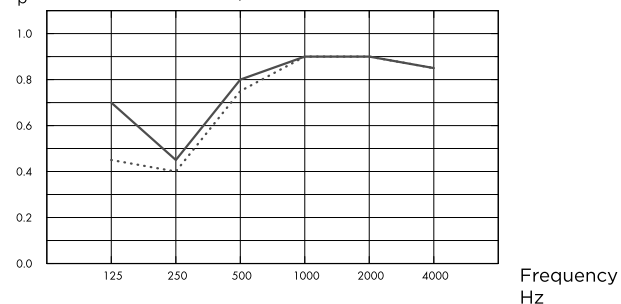


ACOUSTIC

Sound Absorption

Test results according to EN ISO 354:2003 NOTE: Results shown are not comparable with results according to older versions of this standard due to discrepancies in test method. Classification according to EN ISO 11654, and the single value ratings for Noise Reduction Coefficient, NRC and Sound Absorption Average, SAA according to ASTM C 423.

α_p , Practical sound absorption coefficient



..... Performance Baffle oriented in rows, c600 mm, with -1,4 baffles/m² ceiling area, 600 mm o.d.s.

— Performance Baffle oriented in rectangles, with -1,3 baffles/m² ceiling area, 600 mm o.d.s.

o.d.s = overall depth of system

	THK mm	o.d.s. mm	α_p , Practical sound absorption coefficient						α_w	Sound absorption class
			125 Hz	250 Hz	500 Hz	1000 Hz	2000 Hz	4000 Hz		
in rows	50	600	0.45	0.40	0.75	0.90	0.90	0.85	0.70	C
in rectangles	50	600	0.70	0.45	0.80	0.90	0.90	0.85	0.75	C

	THK mm	o.d.s. mm	NRC	SAA
in rows	50	600	0.75	0.73
in rectangles	50	600	0.75	0.77



INDOOR AIR QUALITY

Certificate / Label	
Eurofins Indoor Air Comfort®	IAC Gold
French VOC	A+



CRADLE TO CRADLE CERTIFIED®

This product is Cradle to Cradle Certified® at Bronze level (version 4.0).



MATERIAL HEALTH

This product has received a C2C Certified Material Health Certificate™ at the Silver level (standard version 4.0). The C2C Certified Material Health Certificate™ is a verification of the health and safety of a product's composition using the Material Health requirements of the Cradle-to-Cradle Certified Product Standard.



CARBON FOOTPRINT

Life-cycle stages A1 to C4 from EPD, in conformity with ISO 14025 / EN 15804

	kg CO ₂ equiv/m ²
Hygiene Performance Baffle	8,30



CIRCULARITY

Minimum post-consumer recycled content	57%
Recyclability	Fully recyclable



FIRE SAFETY

The glass wool core of the tiles is tested and classified as non-combustible according to EN ISO 1182.

Country	Fire standard	Class
Europe	EN 13501-1	A2-s1,d0



HUMIDITY RESISTANCE

Class C, relative humidity 95% and 30°C, according to EN 13964:2014



VISUAL APPEARANCE

White 500, nearest NCS colour sample S 0500-N, 84% light reflectance.



CLEANABILITY

Standard/Method	Frequency
Dusting	Daily
Wet wiping	Weekly
Steam cleaning	4/year
Low pressure cleaning	2/year
High pressure cleaning	2/year
Hydrogen peroxide vapor	•
UV-C, BIFMA HCF 8.1-2019	•



SURFACE ENDURANCE

Product tested according to ISO 11998, and withstand 200 cycles.



CHEMICAL RESISTANCE/DISINFECTION

Tested according to ISO 11998 and withstands the following chemicals or disinfectants.

Chemical	Active Substance	Concentration
Actichlor plus	NaDCC (Sodium Dichloroisocyanurate)	1%
LifeClean	Chlorine dioxide	Undiluted
Etanol	Etanol	70%
Chlorine	Sodium Hypochlorite solution	2,5%
Virkon S	Dipotassium peroxodisulphate; Sulphamidic acid	1%
Isopropanol	Isopropyl Alcohol	70%
Oxivir Excel	Hydrogen peroxide	0,5%
Sumabac D10	Quaternary ammonium compound, Sodium carbonate	1%
Suredis VT1	n-(3-aminopropyl)-n-dodecylpropan-1,3-diamin	1%
Enduro Chlor VE5	Potassium hydroxide	1,5%
Acipusfoam VF59	Nitric Acid	5%



MOULD AND BACTERIAL RESISTANCE

Standard/Method	Class
ISO 846 :2019 method C (for bacterium)	0 (No growth under the microscope)
ASTM D3273-16 (for fungi)	10 (0% growth on the surface)



CLEAN ROOM

	Standard/Method	Class
ISO 14644	Particle cleanliness class	ISO 4
NF S 90-351	Microbiological class	M1/area 4
NF S 90-351	Particle elimination kinetics	CP(0,5) 5



ACCESSIBILITY

The tiles are demountable.



INSTALLATION

Installed according to installation diagrams, installation guides and drawing aid. Cut panels must be sealed with Connect Edge sealant.



PACKAGING INFORMATION

Information is indicative and subject to change.

	Panels / crt
1200x600x50	4



SYSTEM WEIGHT

Weight information is indicative and subject to variation.

	kg/m ²
Hygiene Performance Baffle	4,8



MECHANICAL PROPERTIES

Please observe that vibrations, airflow and other types of mechanical impact can affect the mechanical properties of the fixings.

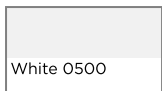


CE

Ecophon ceiling systems are CE marked according to the European harmonized standard EN13964:2014. CE marked construction products are covered by a Declaration of Performance (DOP) which enables customers and users to easily compare performance of products available on the European market.

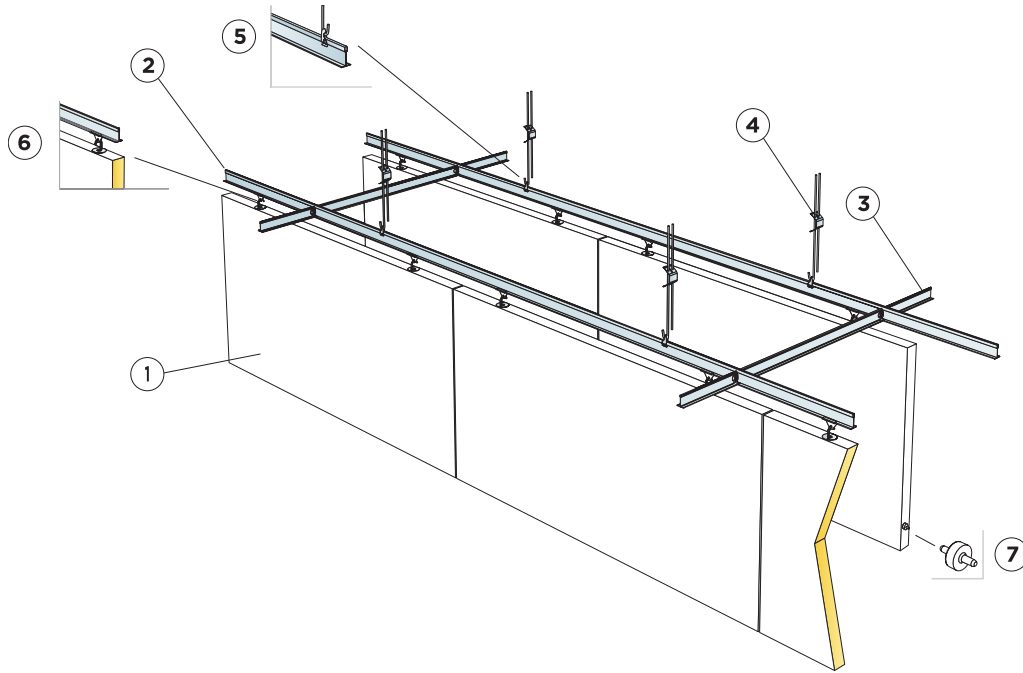
COLOURS AND DESIGN

Akutex™ HS



White 0500

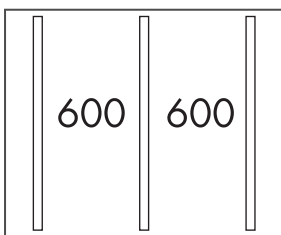
Baffle installation



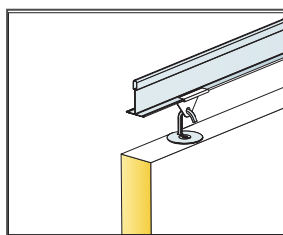
© Saint-Gobain Ecophon AB
 Installation diagram (M492C3) for Ecophon Hygiene Performance™ Baffle C3 (in rows)

Quantity specification (excl. wastage)

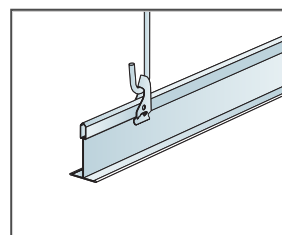
	Size, mm
	1200x600
1 Hygiene Performance Baffle	1,4/m ²
2 Connect T24 Main Runner C3, installed at 600 mm centres	1,7m/m ²
3 Connect T24 Cross Tee C3, L=600 mm, installed at 1800 mm centres	0,6m/m ²
4 Connect Adjustable Hanger C3 c1200	1,4/m ²
5 Connect Hanger Clip	1,4/m ²
6 Connect Baffle Clip C3	2,8/m ²
Optional Accessories	
7 Connect Guiding Pin, installed at 1200/1800 mm centres (not suitable for use in controlled environments i.e. food processing areas)	2,8/m ²



Installation in rows



Detail of suspension

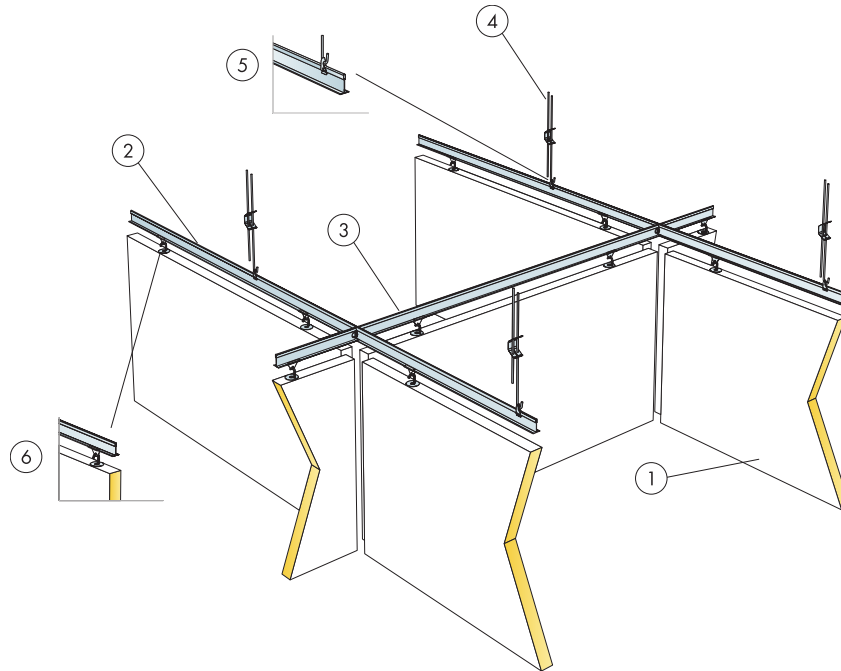


Suspension with Connect Adjustable Hanger and Connect Hanger Clip

Size, mm	Max live load (N)	Min load bearing capacity (N)
1200x600x50	0	160

Live load/load bearing capacity

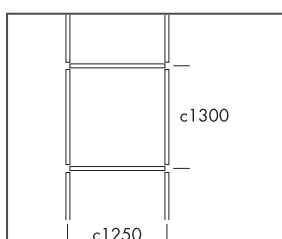
Baffle installation



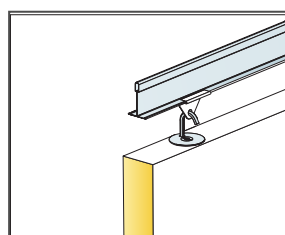
© Saint-Gobain Ecophon AB
 Installation diagram (M493C3) for Ecophon Hygiene Performance™ Baffle C3 (in rectangles)

Quantity specification (excl. wastage)

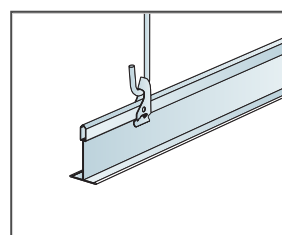
		Size, mm
		1200x600
1	Hygiene Performance Baffle	1,3/m ²
2	Connect T24 Main Runner C3, installed at 1250 mm centres	0,8m/m ²
3	Connect T24 Cross Tee C3, L=1250 mm, installed at 1300 mm centres	0,8m/m ²
4	Connect Adjustable Hanger C3	0,7m ²
5	Connect Hanger Clip	0,7m ²
6	Connect Baffle Clip C3	2,5m ²



Installation in rectangles



Detail of suspension

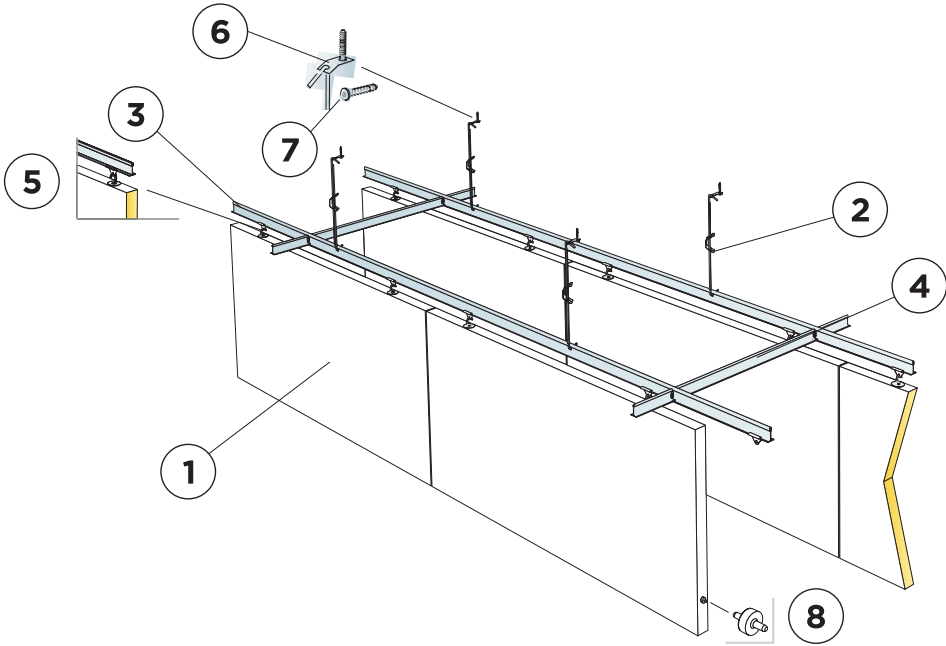


Suspension with Connect Adjustable Hanger and Connect Hanger Clip

Size, mm	Max live load (N)	Min load bearing capacity (N)
1200x600x50	0	160

Live load/load bearing capacity

Baffle installation

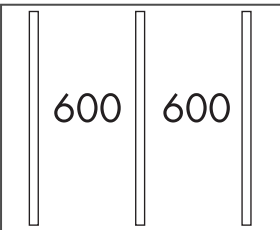


© Saint-Gobain Ecophon AB

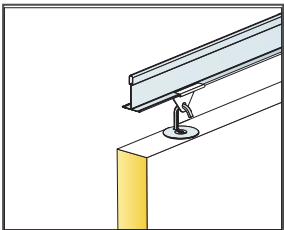
Installation diagram (M494C4) for Ecophon Hygiene Performance™ Baffle C4 (in rows)

Quantity specification (excl. wastage)

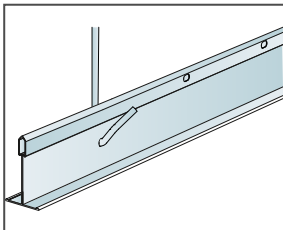
	Size, mm
	1200x600
1 Hygiene Performance Baffle	1,4/m ²
2 Connect Adjustable Hanger C4 c1200	1,4/m ²
3 Connect T24 Main Runner C4, installed at 600 mm centres	1,7m/m ²
4 Connect T24 Cross Tee C4, L=600 mm, installed at 1800 mm centres	0,6m/m ²
5 Connect Baffle Clip C4	2,8/m ²
6 Connect Fixing Plate C4	1,4/m ²
7 Connect Anchor Screw C4	1,4/m ²
Optional Accessories	-
8 Connect Guiding Pin, installed at 1200/1800 mm centres (not suitable for use in controlled environments i.e. food processing areas)	2,8/m ²



Installation in rows



Detail of suspension



Suspension with Connect Adjustable Hanger C4

Size, mm	1200x600x50	Max live load (N)	0	Min load bearing capacity (N)	160
----------	-------------	-------------------	---	-------------------------------	-----

Live load/load bearing capacity