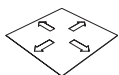


Ecophon Clipso™ So Classic

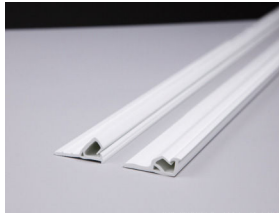
Ecophon Clipso™ So Classic 705 S is a textile fabric with a uniform coating and a timeless, neutral elegance. Clipso So Classic 705 S has a wide range of applications and is suitable for both residential and non-residential areas.



SYSTEM RANGE



Size, mm	x1500	x2000	x2500	x3000	x3500	x4000	x4500	x5100
Ceiling	•	•	•	•	•	•	•	•
Wall	•	•	•	•	•	•	•	•
Thickness (THK)	0,3	0,3	0,3	0,3	0,3	0,3	0,3	0,3
Inst. Diagr.	M569, M570, M572	M569, M570, M572	M569, M570, M572	M569, M570, M572	M569, M570, M572	M569, M570, M572	M569, M570, M572	M569, M570, M572



Clipso PCC and PCW profiles.



Clipso ceiling installation with PCW profile.



Clipso wall installation with PCC profile.



Clipso technical fabric.



Indoor Air Quality

Certificate / Label	
Eurofins Indoor Air Comfort®	IAC Gold
French VOC	A+
Greenguard	Gold



Fire safety

Country		
Europe	EN 13501-1	B-s1,d0
International Maritime Organisation	Resolutions MSC.307(88) and MSC.61(67)	Modules B and D



Humidity Resistance

Property	Standard/Method	Performance
Dimensional stability under the action of humidity	EN 14716 (appendix C)	0% (MD), 0% (CMD)
Dimensional stability under the action of heat	EN 12280-1 (30 min, 60°C)	0% (MD), 0% (CMD)
Water vapour transmission rate	ISO 2528 (38°C, 90% RH)	1184 g/m²



Visual appearance

Matt, smooth and uniform. Optical white, nearest colour sample RAL 9016.



Cleanability

Use of Clipso Cleaning Kit recommended. Alternatively, other pH-neutral cleaning agents can be used with a soft cloth, provided it has first been tested on a scrap piece or on a non-visible area of the fabric.



Mould and Bacterial Resistance

Standard/Method	
ISO 846 A	0
ISO 846 C	0



Accessibility

The system supports installation of inspection hatches.



Installation

Installed with Clipso profiles according to installation diagrams and drawing aid.



System weight

The weight of the fabric is approximately 245 g/m².



Mechanical properties

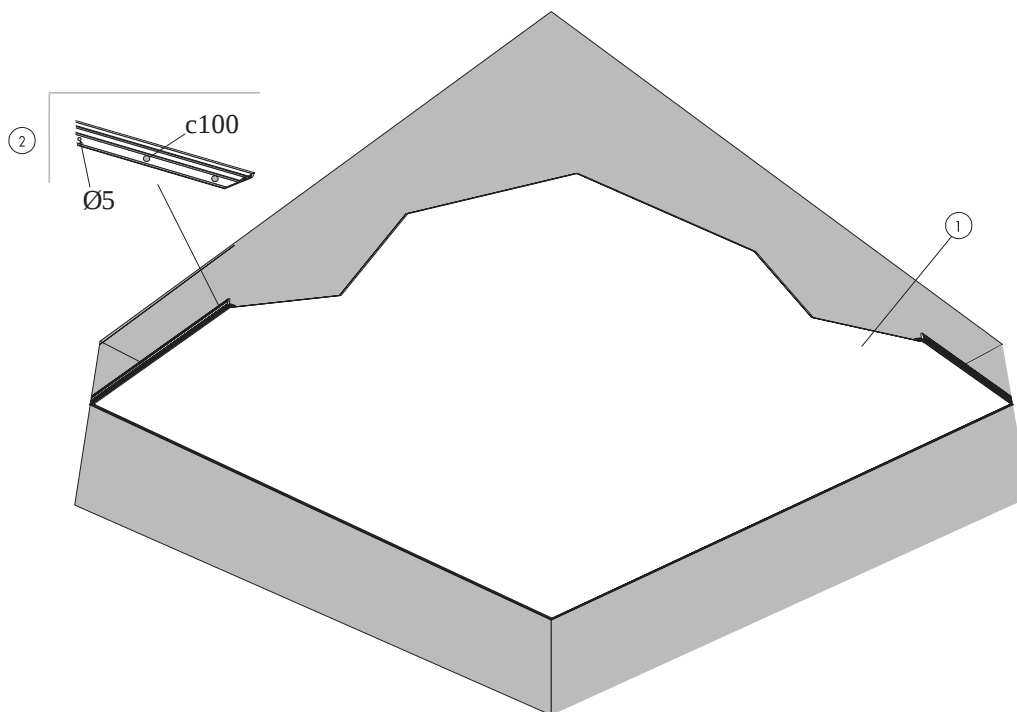
Property	Standard/Method	Performance
Tensile strength	ISO 1421	28 daN/5 cm (MD), 62 daN/5 cm (CMD)
Tear strength	EN 1875-3	3.7 daN (MD), 6.0 daN (CMD)

Additional load (lighting, ventilation, etc.) should be hung directly from the soffit.



CE

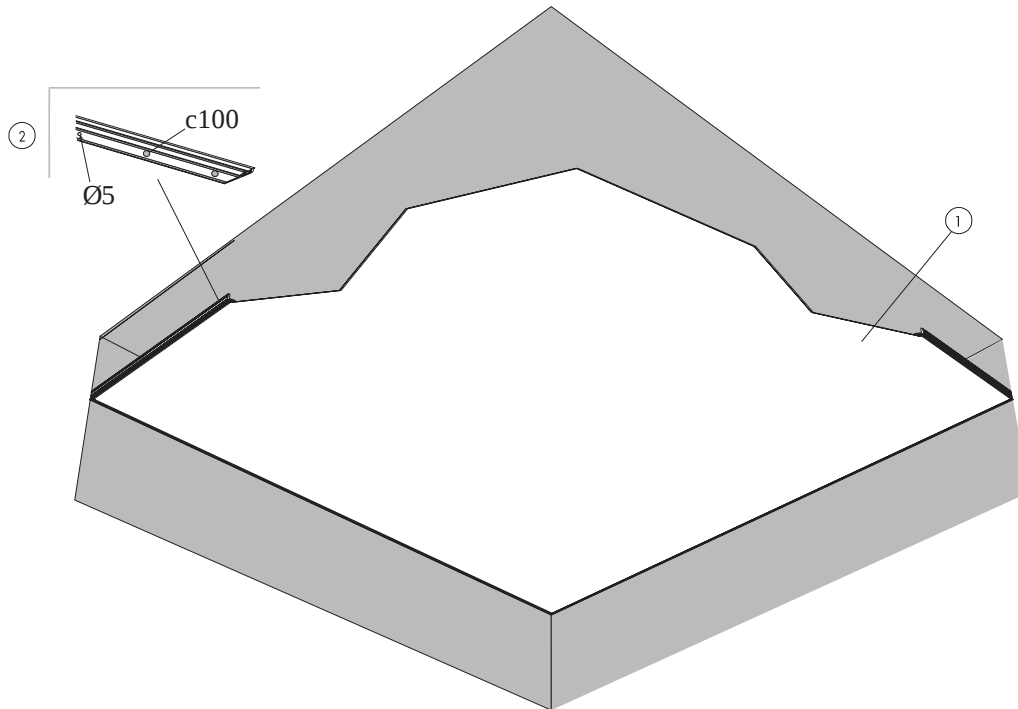
Clipso technical fabrics are CE-marked according to the European harmonized standard EN14716:2005. CE marked construction products are covered by a Declaration of Performance (DOP) which enables customers and users to easily compare performance of products available on the European market.



QUANTITY SPECIFICATION (EXCL. WASTAGE)

	Size, mm			
	x1500	x2000	x2500	x3000
1 Clipso 705S technical fabric	as required	as required	as required	as required
2 Clipso PCW profiles	as required	as required	as required	as required
Installation and maintenance accessories for Clipso technical fabrics	-	-	-	-

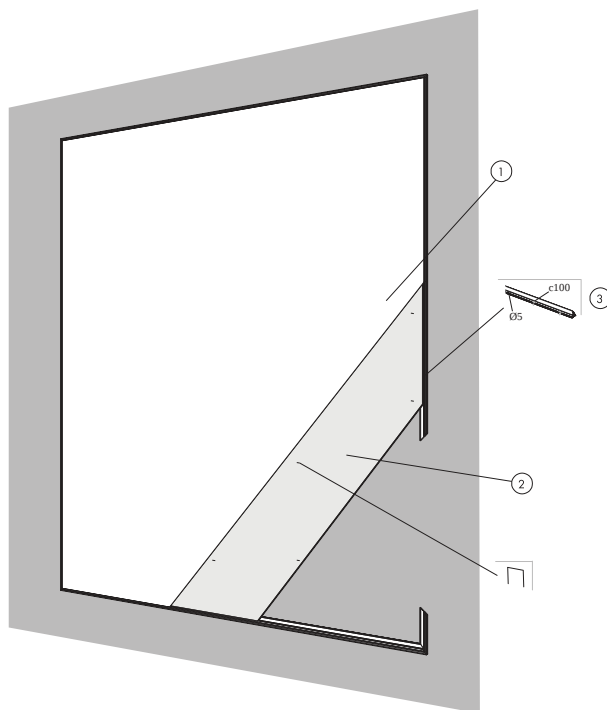
INSTALLATION DIAGRAM (M569) FOR CLIPSO SO CLASSIC, CEILING APPLICATION WITH PCW PROFILES



QUANTITY SPECIFICATION (EXCL. WASTAGE)

	Size, mm			
	x3500	x4000	x4500	x5100
1 Clipso 705S technical fabric	as required	as required	as required	as required
2 Clipso PCW profiles	as required	as required	as required	as required
Installation and maintenance accessories for Clipso technical fabrics	-	-	-	-

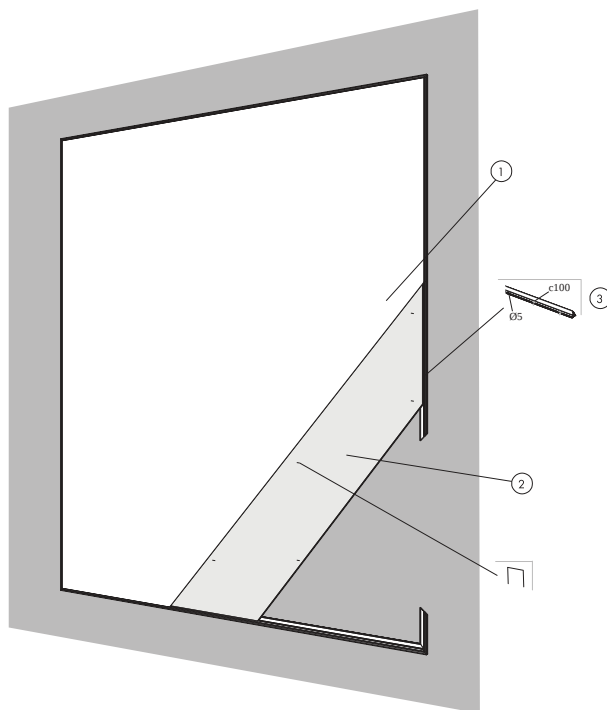
INSTALLATION DIAGRAM (M570) FOR CLIPSO SO CLASSIC, WALL APPLICATION



QUANTITY SPECIFICATION (EXCL. WASTAGE)

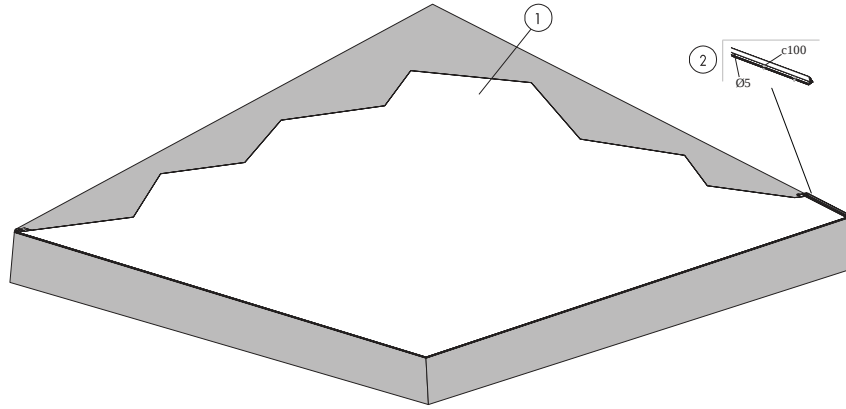
	Size, mm			
	x1500	x2000	x2500	x3000
1 Clipso 705S technical fabric	as required	as required	as required	as required
2 Wall absorbers for Clipso technical fabrics	as required	as required	as required	as required
3 Clipso PCC profiles	as required	as required	as required	as required
Installation and maintenance accessories for Clipso technical fabrics	-	-	-	-

INSTALLATION DIAGRAM (M570) FOR CLIPSO SO CLASSIC, WALL APPLICATION



QUANTITY SPECIFICATION (EXCL. WASTAGE)

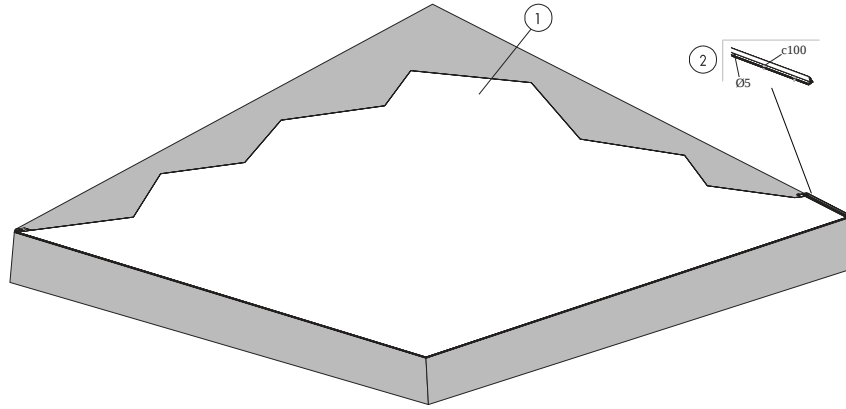
	Size, mm			
	x3500	x4000	x4500	x5100
1 Clipso 705S technical fabric	as required	as required	as required	as required
2 Wall absorbers for Clipso technical fabrics	as required	as required	as required	as required
3 Clipso PCC profiles	as required	as required	as required	as required
Installation and maintenance accessories for Clipso technical fabrics	-	-	-	-



QUANTITY SPECIFICATION (EXCL. WASTAGE)

	Size, mm			
	x1500	x2000	x2500	x3000
1 Clipso 705S technical fabric	as required	as required	as required	as required
2 Clipso PCC profiles	as required	as required	as required	as required
Installation and maintenance accessories for Clipso technical fabrics	-	-	-	-

INSTALLATION DIAGRAM (M572) FOR CLIPSO SO CLASSIC, CEILING APPLICATION WITH PCC PROFILES



QUANTITY SPECIFICATION (EXCL. WASTAGE)

	Size, mm			
	x3500	x4000	x4500	x5100
1 Clipso 705S technical fabric	as required	as required	as required	as required
2 Clipso PCC profiles	as required	as required	as required	as required
Installation and maintenance accessories for Clipso technical fabrics	-	-	-	-